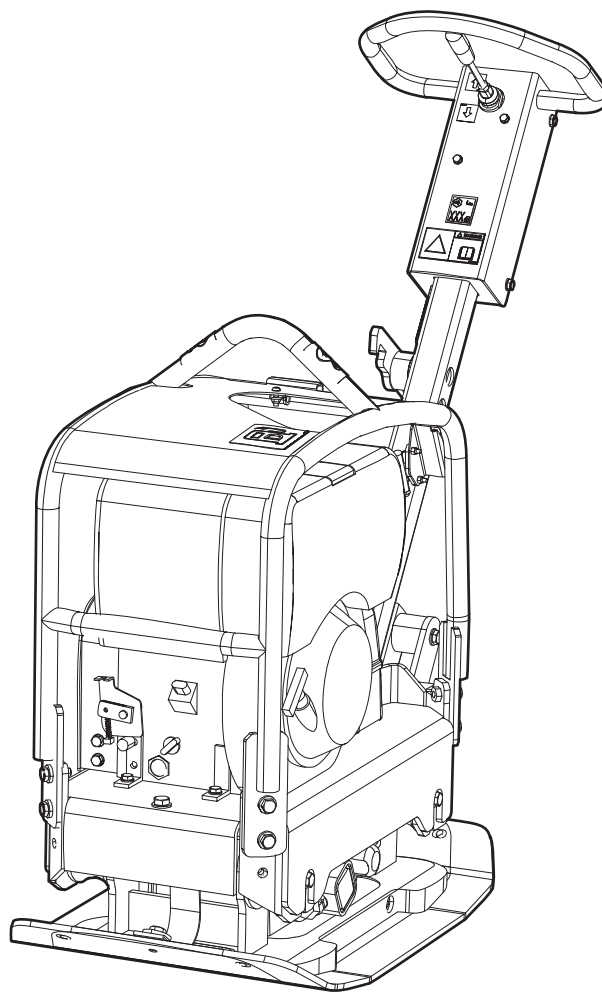


Spare parts list

Forward and reversible plate

MV 165, 170

	Valid from serial number
MV 165 Honda 450 mm (17.72 in.)	16003001
MV 170 Hatz 450 mm (17.72 in.)	16003001
MV 165 Honda 450 mm (17.72 in.)	BGF000001
MV 170 Hatz 450 mm (17.72 in.)	BGF000001
MV 170 Hatz 450 mm (17.72 in.) EPA	BGF000001



General information

This spare parts list applies to the following:

Part number	Description
4812 0991 42	Forward and reversing plate MV 165 Honda 450 mm (17.72 in.)
4812 0991 43	Forward and reversing plate MV 170 Hatz 450 mm (17.72 in.)
3382 0003 08	Forward and reversing plate MV 170 Hatz 450 mm (17.72 in.) EPA

Use only authorized parts. Any damage or malfunction caused by the use of unauthorized parts is not covered by Warranty or Product Liability. Any unauthorized use or copying of the contents or any part thereof is prohibited. This applies in particular to trademarks, model denominations, part numbers, and drawings.

Instructions for use

This spare parts list contains no safety regulations and is merely intended to assist in the ordering of spare parts.

For information about operating, servicing, or repairing, the relevant Safety and operating instructions must be consulted at all costs.

Please observe the safety instructions listed in the relevant Safety and operating instructions!

Contents

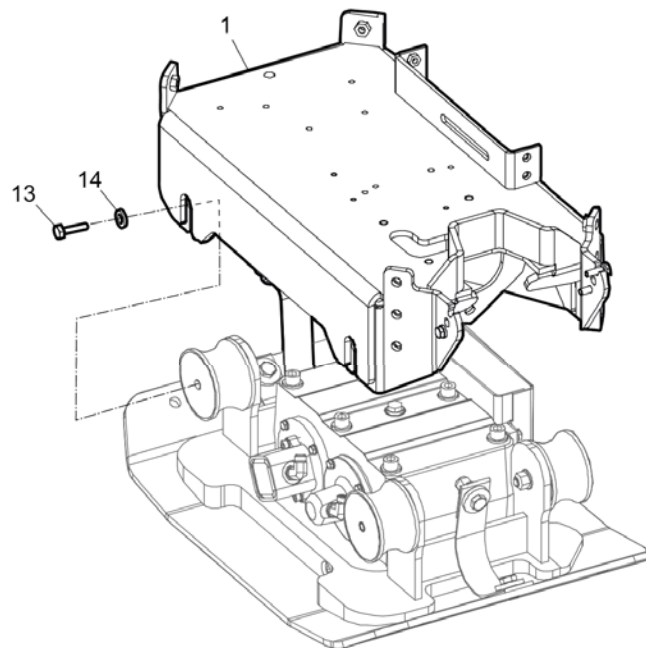
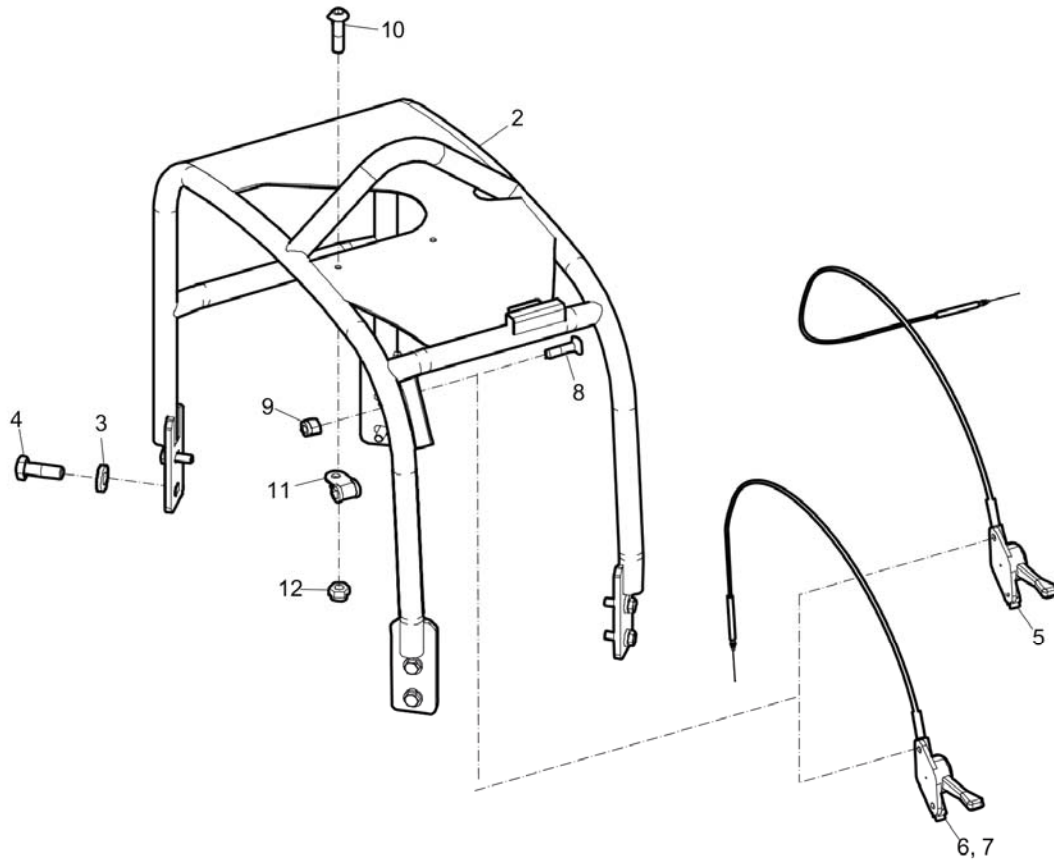
Spare parts list

Frame	1
Ground plate and eccentric element installation	3
Block paving plate 450 mm (17.7 in.)	5
Transport device	7
Eccentric element	9
Engine installation, Honda	13
Engine, Honda GX 160 UT2 SXS4 OH	16
Engine installation, Hatz	21
Engine, Hatz 1B20 manual start	23
Engine, Hatz 1B20 manual start, EPA version	30
Fuel tank, Hatz 1B20	38
Centrifugal clutch, Honda	42
Centrifugal clutch, Hatz	45
Belt tightener	47
Hydraulic system	49
Handle	53
Labels, Honda	55
Labels, Hatz	57

Kits

Service kit, Honda	59
One year service kit, Hatz	61
Shock absorber repair kit	63
Eccentric element repair kit	65
Forward and reverse piston repair kit	67
Block paving plate kit 450 mm (17.7 in.)	69
Transport device kit	71

Spare parts list Frame



Refer to Parts Online for the most up to date information. The printed information might be outdated.

Thu Jun 18 01:33:34 MDT 2015

Item	Part No.	Name	Qty	L
1	4812070657	Engine plate	1	
2	4812070659	Protective frame	1	
3	-	Washer, 10.5 x 22 x 4 mm, 0.41 x 0.87 x 0.16 in. 300 HV	8	
4	-	Screw, M10 x 30 mm 8.8 A3K	8	
5	4700390515	Throttle control	1	A
6	4700392386	Throttle control	1	B
7	3382012132	Throttle control, complete		C
8	-	Screw, M5 x 18 mm 8.8 A2K	2	
9	-	Lock nut, M5 ISO7040	2	
10	-	Screw, M6 x 20 mm A2-70	1	
11	4700921065	Clamp	1	
12	-	Lock nut, M6	1	
13	-	Screw, M10 x 20 mm 8.8 A3K	4	
14	-	Washer, 10.5 x 22 x 4 mm, 0.41 x 0.87 x 0.16 in. 300 HV	4	

Comments for Page: Frame

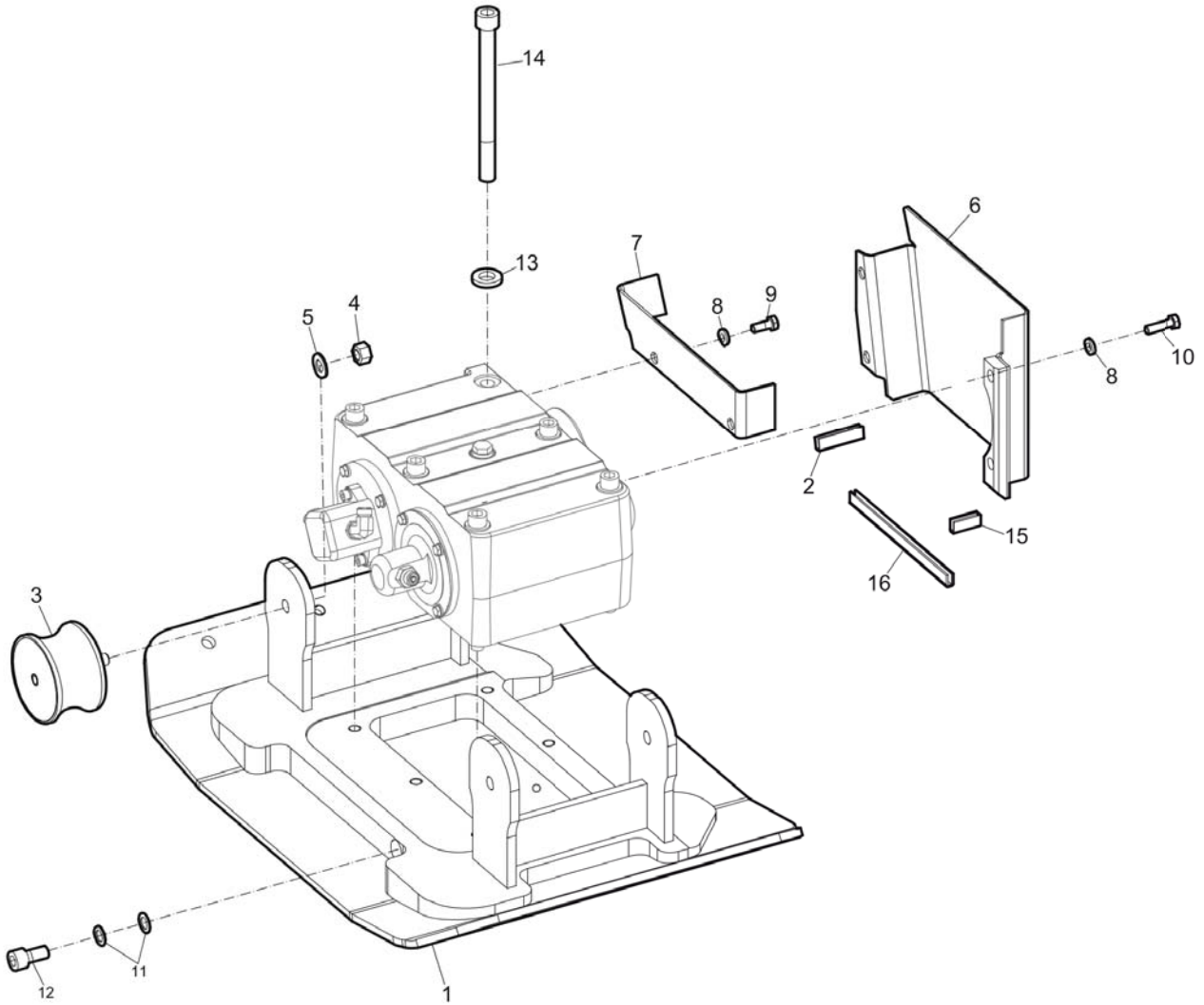
(L)OCAL REMARKS

A | Honda

B | Hatz, non EPA version

C | Hatz, EPA version with three fixed positions

Spare parts list Ground plate and eccentric element installation



Refer to Parts Online for the most up to date information. The printed information might be outdated.

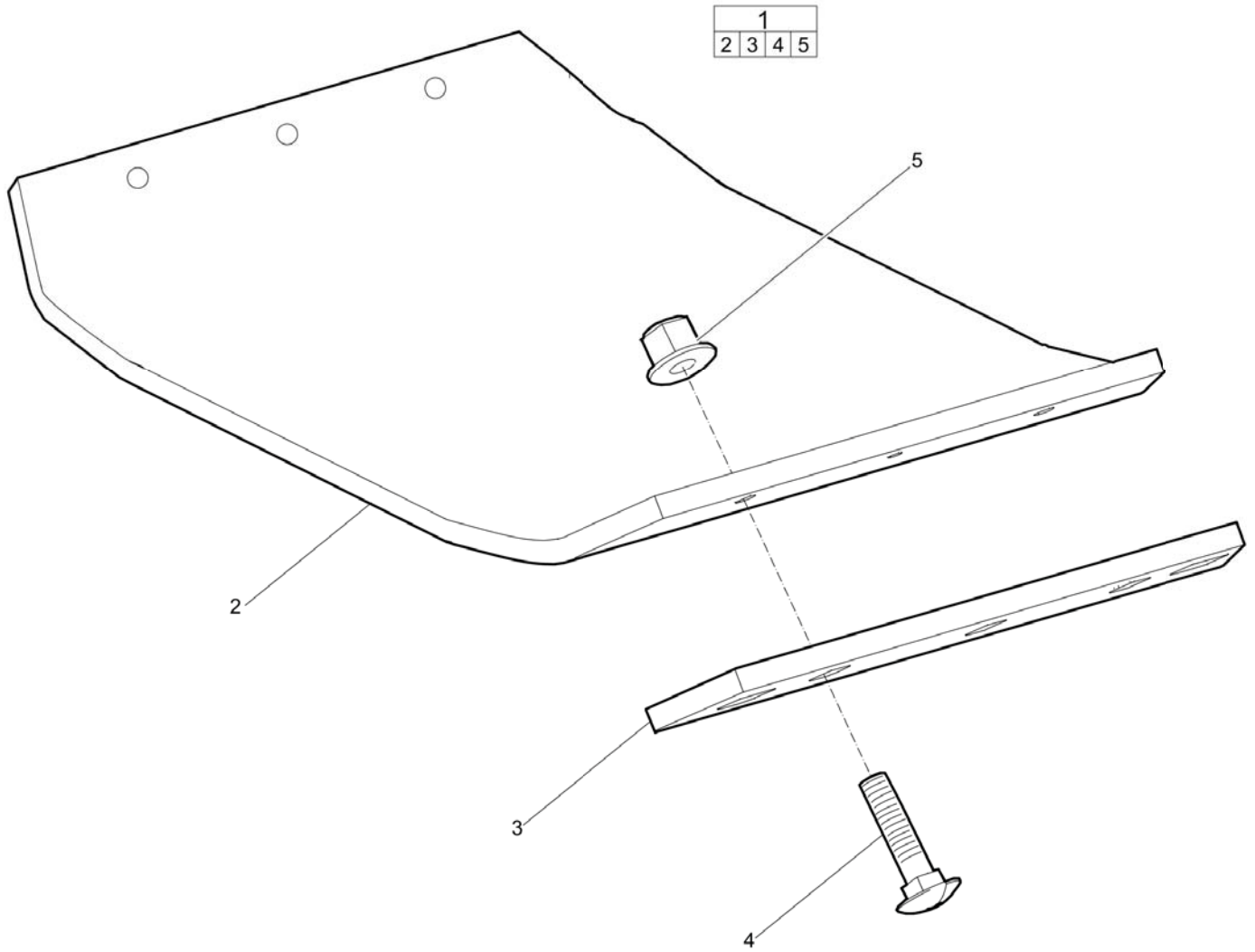
Thu Jun 18 01:33:35 MDT 2015

Item	Part No.	Name	Qty	L
1	4700391895	Ground plate	1	
2	4700202028	Edge trim	1	
3	4700390236	Shock absorber	4	
4	-	Nut, M12 A3K	4	
5	-	Washer, 13 x 24 x 2 mm, 0.51 x 0.98 x 0.08 in. 300 HV	4	
6	4700379581	V-belt cover	1	
7	4700390433	Protection	1	
8	-	Washer, 8.4 x 16 x 3 mm, 0.33 x 0.63 x 0.12 in. 300 HV	6	
9	-	Screw, M8 x 20 mm 8.8 A2K	4	
10	-	Screw, M8 x 30 mm	2	
11	4700747541	Washer	2	
12	4700508028	Screw	1	
13	4700904703	Plain washer 13x24x4 mm	6	
14	4700929449	Screw	6	A
15	4700202028	Edge trim	1	
16	4700202028	Edge trim	1	

Comments for Page: Ground plate and eccentric element installation

A || GEOMET is a registered trademark of Nof MetalCoatings North America Inc.

Spare parts list Block paving plate 450 mm (17.7 in.)

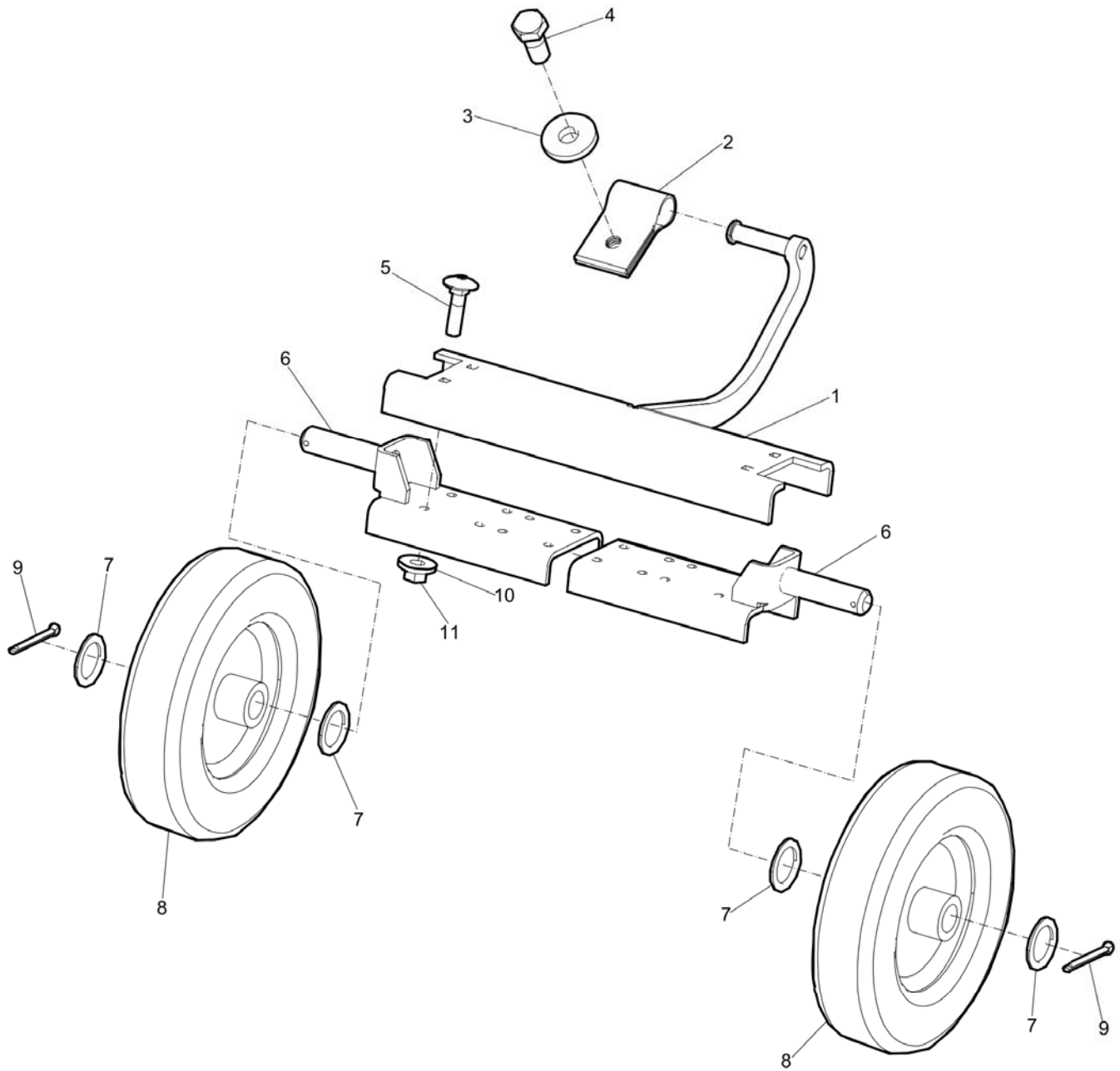


Refer to Parts Online for the most up to date information. The printed information might be outdated.

Thu Jun 18 01:33:36 MDT 2015

Item	Part No.	Name	Qty	L
1	4700394463	Block paving plate kit	1	
2	4700280892	Polyurethane plate	1	
3	4700381954	Bracket	2	
4	--	Carriage screw, M10 x 45 mm 4.6 A3K	4	
5	--	Nut, M10 x 1.5 mm A3K	4	

Spare parts list Transport device

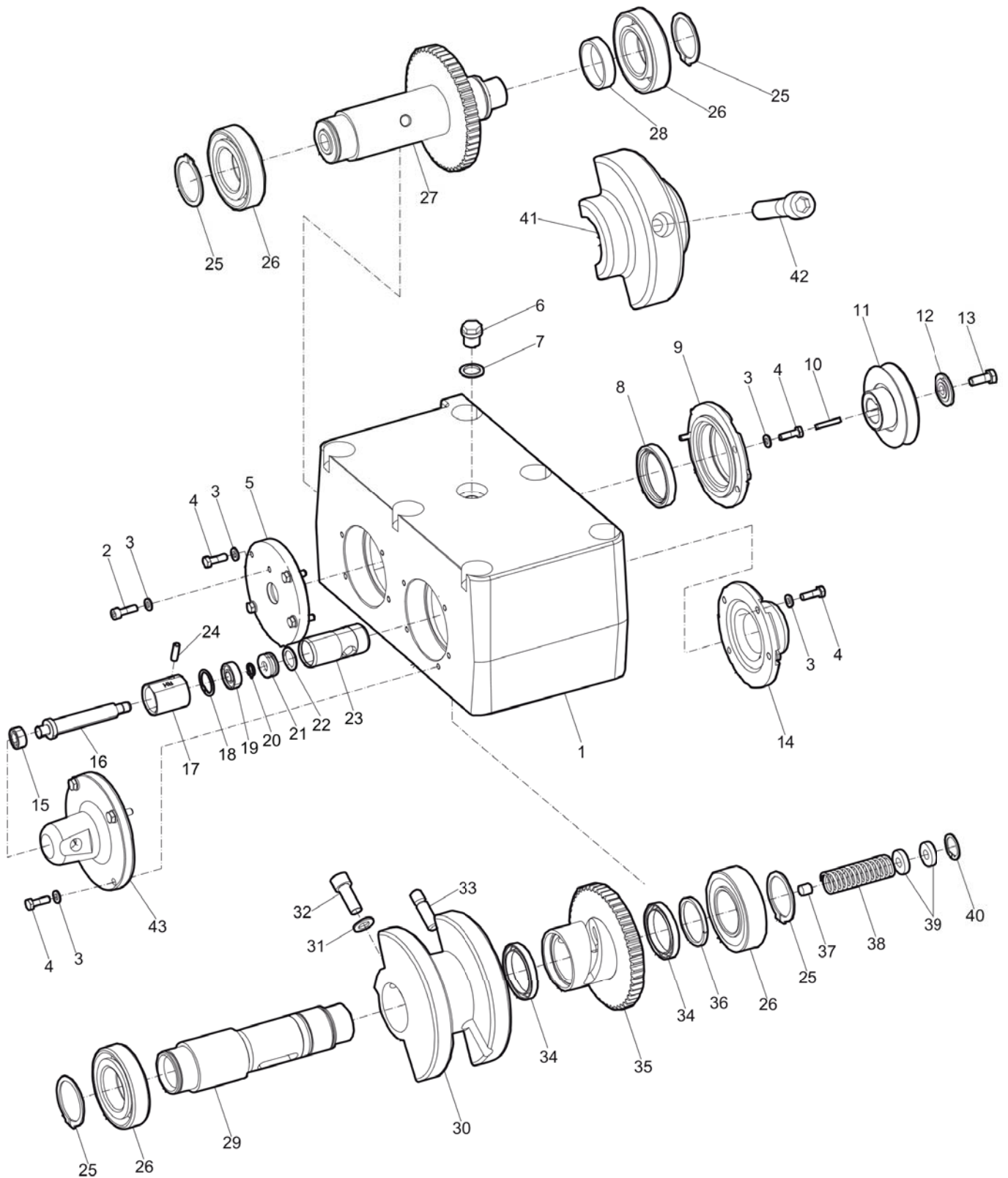


Refer to Parts Online for the most up to date information. The printed information might be outdated.

Thu Jun 18 01:33:37 MDT 2015

Item	Part No.	Name	Qty	L
1	4700394933	Transport device	1	
2	4700280417	Strap	1	
3	-	Washer, 13 x 36 x 6 mm, 0.51 x 1.42 x 0.24 in. 300 HV	1	
4	-	Screw, M12 x 25 mm 8.8 A3K	1	
5	-	Screw, M8 x 30 mm 8.8	4	
6	4700394985	Wheel bracket	2	
7	4700271032	Washer	4	
8	4700383598	Wheel	2	
9	4700630015	Split pin	2	
10	-	Washer, 8.4 x 22 x 3 mm, 0.33 x 0.87 x 0.12 in. 300 HV	4	
11	-	Nut, M8 A2K	4	

Spare parts list Eccentric element



Refer to Parts Online for the most up to date information. The printed information might be outdated.

Thu Jun 18 01:33:38 MDT 2015

Item	Part No.	Name	Qty	L
1	4700390091	Eccentric housing	1	
2	-	Screw, M6 x 20 mm 8.8 A2K	2	
3	-	Washer, 6.4 x 12 x 1.5 mm, 0.25 x 0.47 x 0.06 in. 300 HV	18	
4	-	Screw, M6 x 20 mm 8.8 A2K	16	
5	4700379168	Cover	1	
6	4700232143	Plug, M16	1	
7	4700162011	Washer, sealing	1	
8	4700928794	Sealing ring	1	
9	4700379167	Cover	1	
10	4700350029	Feather key	1	
11	4700390446	Pulley	1	
12	4700280654	Washer	1	
13	-	Screw, M10 x 25 mm 8.8 A3K	1	
14	4812070055	Cover	1	
15	4700281276	Sealing ring	1	
16	4812070051	Piston rod	1	
17	4812070097	Cap	1	
18	4700151039	Retaining ring	1	
19	4812070359	Ball bearing	1	
20	4700150002	Retaining ring	1	
21	4812070362	Thrust ball bearing	1	
22	4812070363	Spring washer	1	
23	4812070053	Piston	1	
24	4700629062	Spring pin	1	
25	4700150017	Retaining ring	4	
26	4700903363	Ball bearing	4	
27	4700379488	Shaft, cpl	1	
28	4700280645	Spacer ring	1	
29	4812070054	Eccentric shaft	1	
30	4700280633	Eccentric	1	
31	-	Washer, 13 x 24 x 2 mm, 0.51 x 0.98 x 0.08 in. 300 HV	1	
32	4700792723	Screw	1	A
33	4700280644	Pin	1	
34	4700929287	Ball bearing	2	
35	4812070690	Gear wheel	1	
36	4700280646	Spacer	1	
37	4700928241	Screw	1	

Refer to Parts Online for the most up to date information. The printed information might be outdated.

Thu Jun 18 01:33:38 MDT 2015

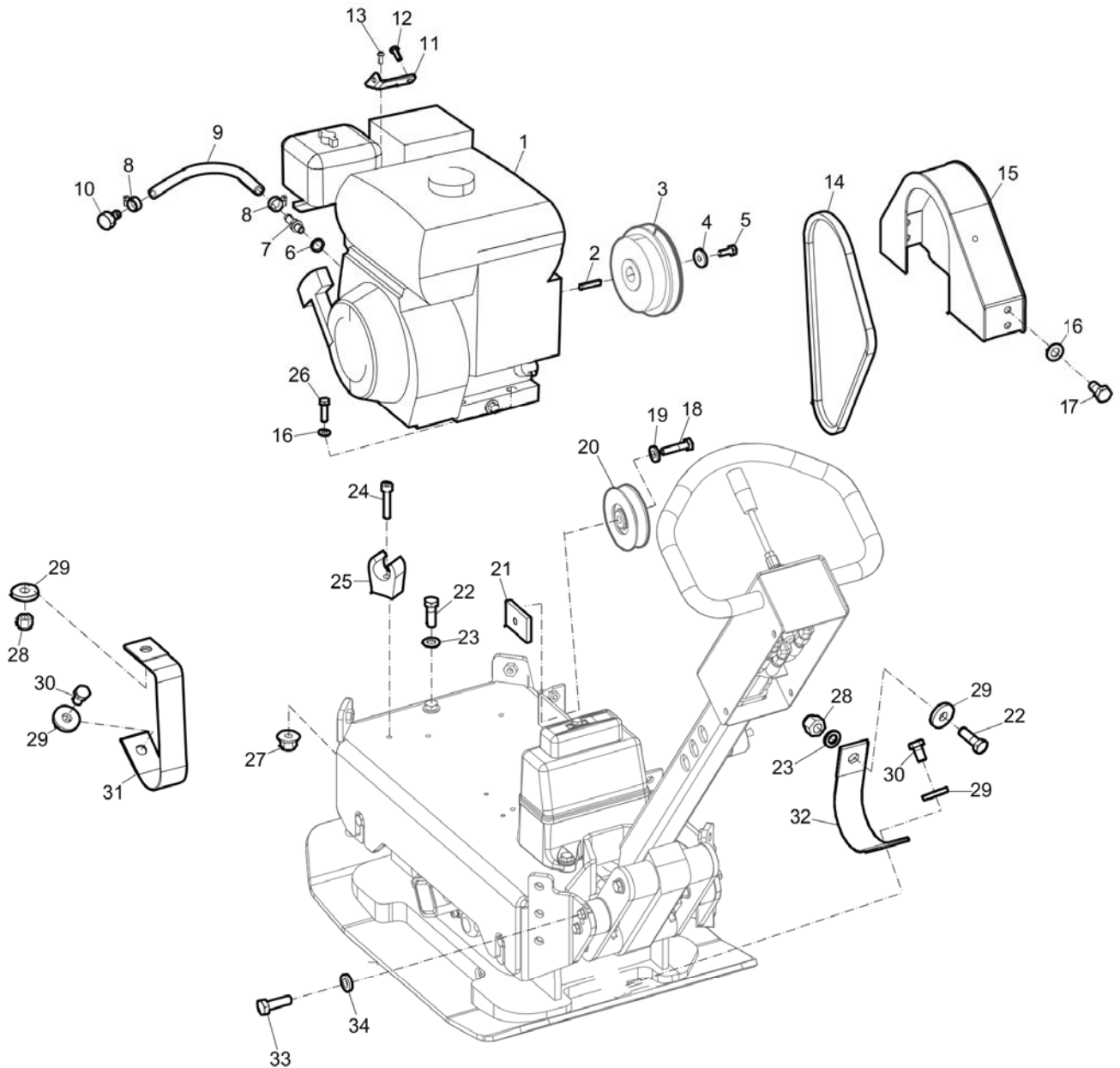
This page intentionally left blank

Item	Part No.	Name	Qty	L
38	4700280677	Spring	1	
39	4700280648	Washer	2	
40	4700151007	Retaining ring	1	
41	4700280632	Eccentric	1	
42	4700792724	Screw	1	
43	4812070050	Hydraulic cylinder	1	

Comments for Page: Eccentric element

A || GEOMET is a registered trademark of Nof MetalCoatings North America Inc.

Spare parts list Engine installation, Honda



Refer to Parts Online for the most up to date information. The printed information might be outdated.

Thu Jun 18 01:33:39 MDT 2015

Item	Part No.	Name	Qty	L
1	4700281125	Engine, Honda GX160UT2 SXS4 SD	1	
2	-	Key	1	A
3	4700394422	Clutch, cpl	1	
4	-	Washer, 8.4 x 26 x 4 mm, 0.33 x 1.02 x 0.16 in. 300 HV	1	
5	-	Screw, M8 x 20 mm 8.8 A2K	1	
6	-	Washer, 10 x 14 x 1 mm, 0.39 x 0.55 x 0.04 in.	1	
7	4812070374	Hose connection	1	
8	4700313001	Hose clamp	2	
9	3382010186	Hose	1	
10	3382010180	Plug	1	
11	3382011416	Bracket	1	
12	-	Screw, M6 x 16 mm 8.8 A2K	1	
13	-	Screw, M5 x 12 mm 10.9 FZB	1	
14	4700281345	V-belt	1	
15	4812070658	Belt guard	1	
16	-	Washer, 8.4 x 16 x 1.5 mm, 0.33 x 0.63 x 0.06 in. 300 HV	4	
17	-	Screw, M8 x 16 mm 8.8 A2K	4	
18	-	Screw, M10 x 40 mm 8.8 A3K	1	
19	-	Washer, 10.5 x 22 x 4 mm, 0.41 x 0.87 x 0.16 in. 300 HV	1	
20	-	Belt tightner	1	B
21	4700390416	Bracket	1	
22	-	Screw, M12 x 35 mm 8.8 A3K	2	
23	-	Washer, 13 x 24 x 2 mm, 0.51 x 0.98 x 0.08 in. 300 HV	2	
24	-	Screw, M5 x 25 mm 8.8 A2K	1	
25	4700281234	Ryw-clips	1	
26	-	Screw, M8 x 30 mm	4	
27	-	Nut, M5 A2K	1	
28	-	Lock nut, M12	2	
29	-	Washer, 13 x 36 x 6 mm, 0.51 x 1.42 x 0.24 in. 300 HV	4	
30	-	Screw, M12 x 20 mm 8.8 A3K	1	
31	3382010021	Strap	1	
32	3382010077	Strap	1	
33	-	Screw, M8 x 25 mm 8.8 A2K	4	
34	-	Washer, 8.4 x 16 x 3 mm, 0.33 x 0.63 x 0.12 in. 300 HV	4	

Comments for Page: Engine installation, Honda

(L)OCAL REMARKS

Refer to Parts Online for the most up to date information. The printed information might be outdated.

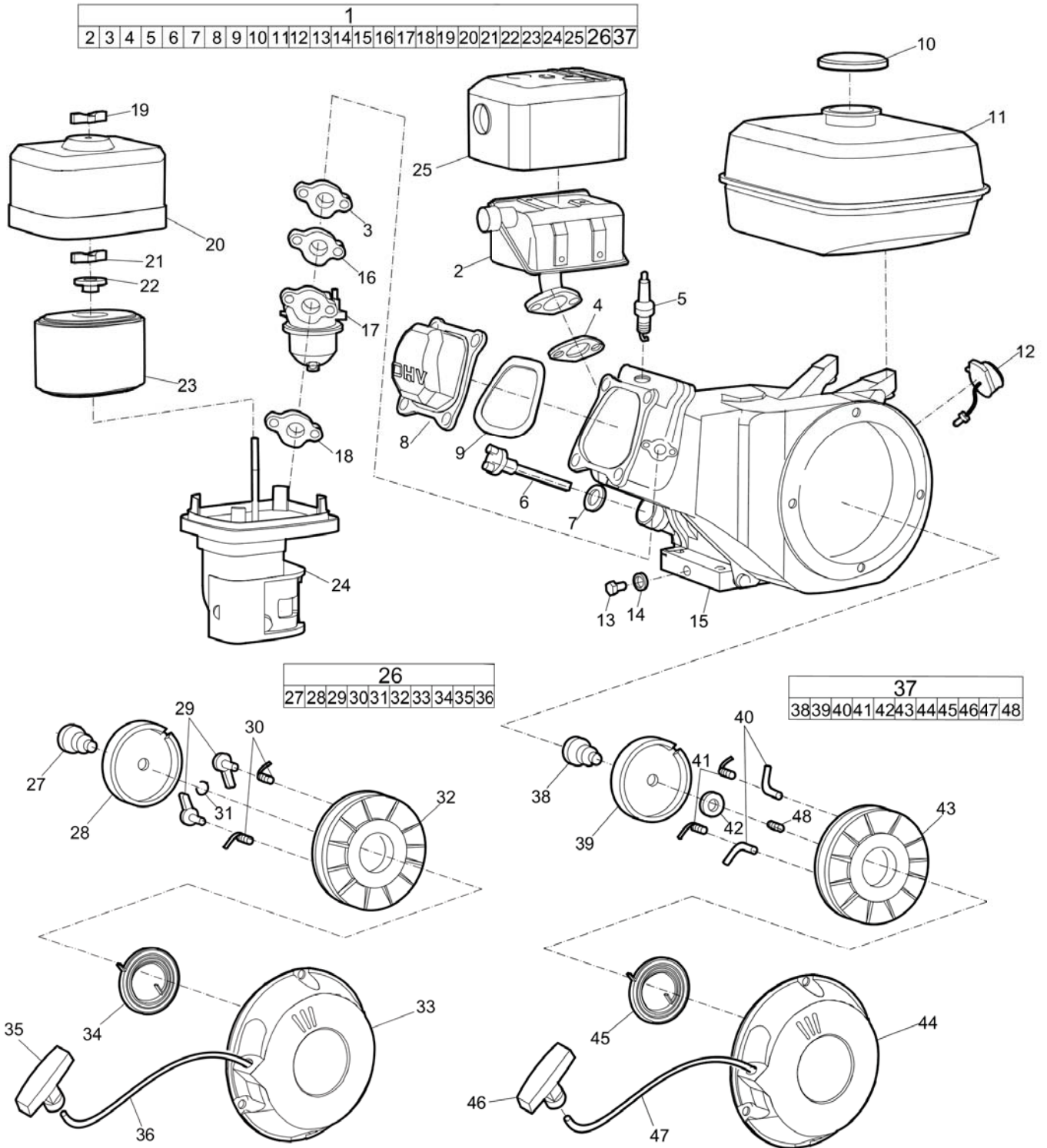
Thu Jun 18 01:33:39 MDT 2015

A | Supplied with engine

B | See section "Belt tightner"

Spare parts list Engine, Honda GX 160 UT2 SXS4 OH

This page intentionally left blank



Refer to Parts Online for the most up to date information. The printed information might be outdated.

Thu Jun 18 01:33:41 MDT 2015

Item	Part No.	Name	Qty	L
1	4700281125	Engine, Honda GX160UT2 SXS4 SD	1	
2	3382100163	Silencer	1	
3	3382100168	Gasket	1	
4	4700239063	Gasket, muffler	1	
5	3382100167	Spark plug	1	
6	3382100165	Oil dipstick, complete	1	
7	3382100166	Gasket	1	
8	4700937917	Valve cover	1	
9	4700238301	Gasket	1	
10	3382100174	Fuel cap	1	
11	3382100173	Fuel tank	1	
12	3382100172	Engine switch	1	
13	4700238302	Oil plug	1	
14	4700238303	Gasket	1	
15	--	Engine part	1	
16	4700937049	Gasket	1	
17	3382100164	Carburetor	1	
18	4700939659	Spacer	1	
19	4700239771	Nut	1	
20	4700239685	Cover	1	
21	4700239771	Nut	1	
22	4700239772	Grommet	1	
23	4700239323	Air filter, complete	1	A
24	4700938230	Air filter housing	1	
25	4700239060	Muffler cover, upper	1	
26	4700239065	Recoil starter, cpl	1	B, E
27	4700239381	Screw	1	
28	4700239380	Guide	1	
29	4700239378	Ratchet	2	B
30	4700239377	Spring	2	
31	4700239379	Friction spring	1	B
32	4700239376	Reel	1	
33	---	Housing	1	
34	4700239375	Spring	1	
35	4700239391	Handle	1	
36	4700239374	Starter rope	1	
37	3382100176	Recoil starter, complete	1	C, D

Refer to Parts Online for the most up to date information. The printed information might be outdated.

Thu Jun 18 01:33:41 MDT 2015

This page intentionally left blank

Item	Part No.	Name	Qty	L
38	3382100177	Adjustment screw	1	C
39	4700239380	Guide	1	
40	3382100169	Ratchet	2	C
41	4700239377	Spring	2	
42	3382100170	Friction washer	1	C
43	3382100171	Reel	1	C
44	---	Housing	1	
45	4700239375	Spring	1	
46	4700239391	Handle	1	
47	4700239374	Starter rope	1	
48	3382100175	Friction spring	1	J

Comments for Page: Engine, Honda GX 160 UT2 SXS4 OH

(L)OCAL REMARKS

A | Delivered with outer and inner filter.

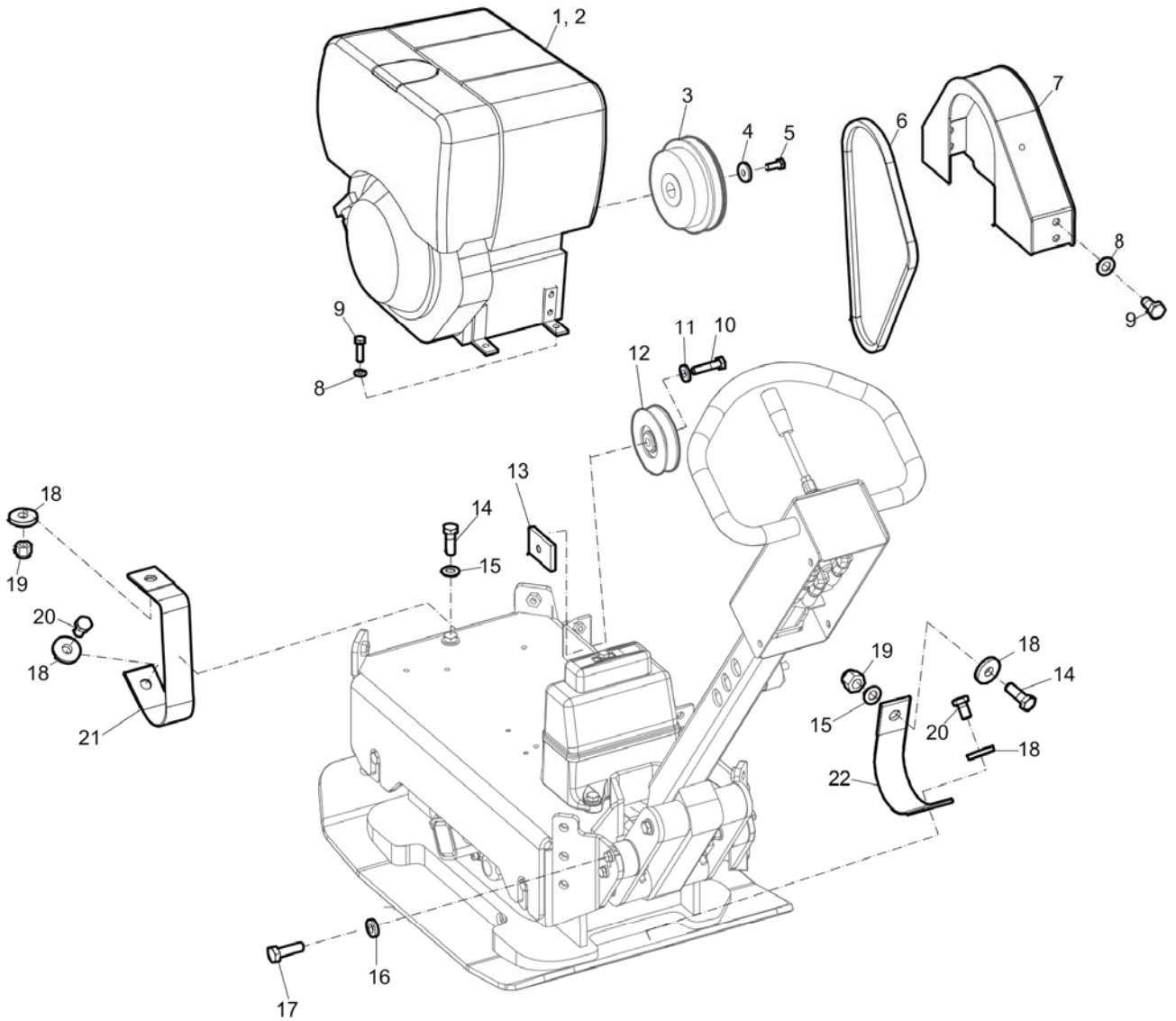
B | Valid up to engine serial number 1411005.

C | Valid from engine serial number 1411006.

D | Black

E | Red

Spare parts list Engine installation, Hatz



Refer to Parts Online for the most up to date information. The printed information might be outdated.

Thu Jun 18 01:33:42 MDT 2015

Item	Part No.	Name	Qty	L
1	4700391058	Engine, cpl Hatz 1B20	1	
2	3382012242	Engine, Hatz 1B20 manual start	1	A
3	4700378033	Clutch, cpl	1	
4	-	Washer, 8.4 x 26 x 4 mm, 0.33 x 1.02 x 0.16 in. 300 HV	1	
5	-	Screw, M8 x 25 mm 8.8 A2K	1	
6	4700281249	V-belt	1	
7	4812070660	V-belt guard	1	
8	-	Washer, 8.4 x 16 x 1.5 mm, 0.33 x 0.63 x 0.06 in. 300 HV	8	
9	-	Screw, M8 x 16 mm 8.8 A2K	8	
10	-	Screw, M10 x 40 mm 8.8 A3K	1	
11	-	Washer, 10.5 x 22 x 4 mm, 0.41 x 0.87 x 0.16 in. 300 HV	1	
12	-	Belt tightener	1	B
13	4700390416	Bracket	1	
14	-	Screw, M12 x 35 mm 8.8 A3K	2	
15	-	Washer, 13 x 24 x 2 mm, 0.51 x 0.98 x 0.08 in. 300 HV	2	
16	-	Washer, 8.4 x 16 x 3 mm, 0.33 x 0.63 x 0.12 in. 300 HV	4	
17	-	Screw, M8 x 25 mm 8.8 A2K	4	
18	-	Washer, 13 x 36 x 6 mm, 0.51 x 1.42 x 0.24 in. 300 HV	4	
19	-	Lock nut, M12	2	
20	-	Screw, M12 x 20 mm 8.8 A3K	1	
21	3382010021	Strap	1	
22	3382010077	Strap	1	

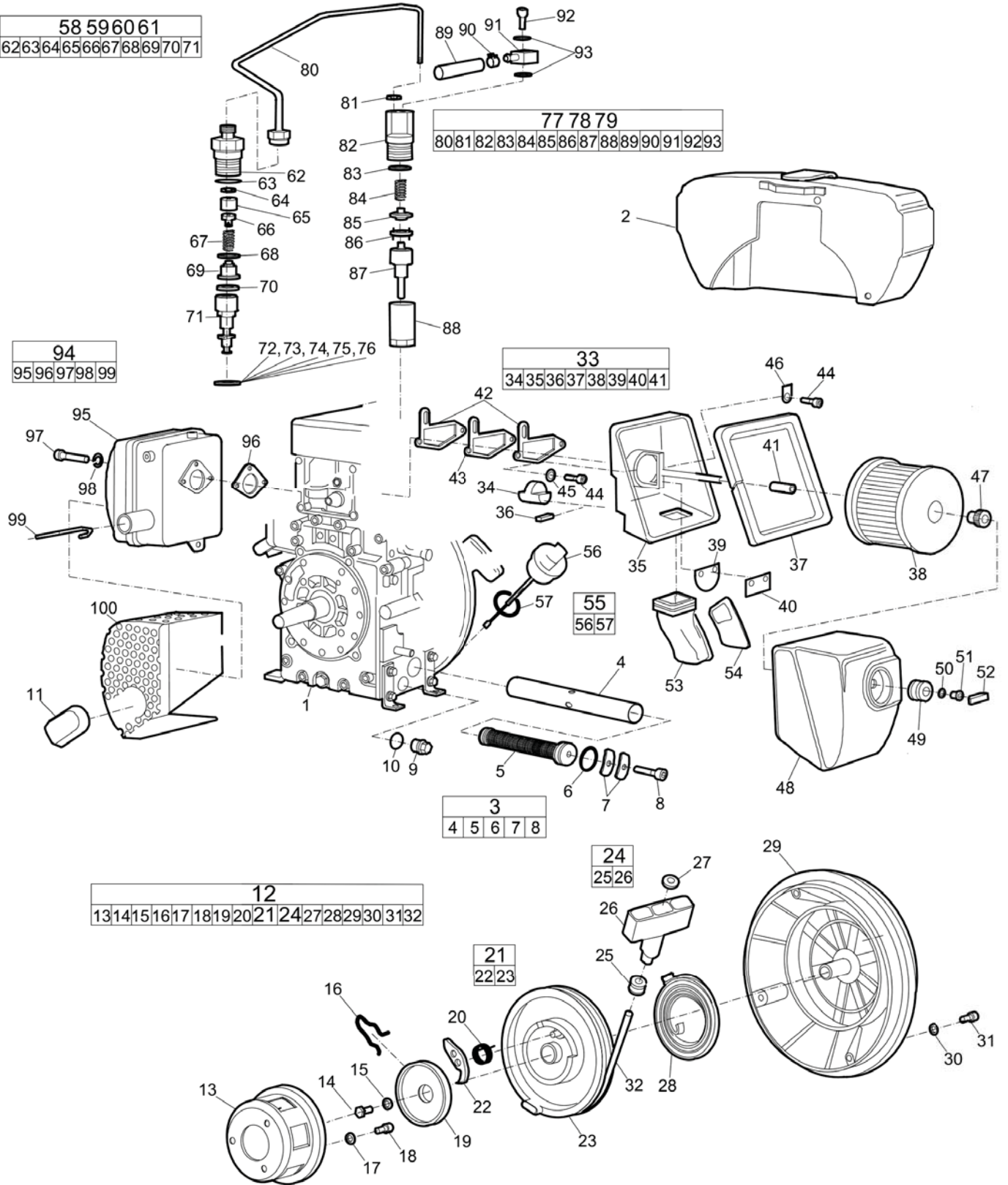
Comments for Page: Engine installation, Hatz

(L)OCAL REMARKS

A | EPA (US Environmental Protection Agency). Version for US and Canada market.

B | See section "Belt tightener"

Spare parts list Engine, Hatz 1B20 manual start



Refer to Parts Online for the most up to date information. The printed information might be outdated.

Thu Jun 18 01:33:44 MDT 2015

Item	Part No.	Name	Qty	L
1	4700391058	Engine, cpl Hatz 1B20	1	A
2	-	Fuel tank	1	B
3	4700937001	Oil strainer, cpl	1	
4	-	Tube	1	
5	-	Oil strainer	1	
6	3382100143	O-ring	1	
7	3382100144	Washer	2	
8	-	Screw, M6 x 16 mm	1	
9	4700937002	Plug	1	
10	4700748479	Washer	1	
11	4700937004	Exhaust pipe	1	
12	4700936982	Recoil starter, cpl	1	
13	4700936999	Starter pulley	1	
14	-	Screw, M6 x 18 mm	1	
15	-	Washer, M6	1	
16	4700936991	Spring	1	
17	-	Spring washer, M6	1	
18	--	Screw, M6 x 10 mm	1	
19	4700936992	Friction plate	1	
20	4700936996	O-ring	1	
21	4700936990	Reel	1	
22	4700936995	Ratchet	1	
23	-	Start pulley	1	
24	4700936983	Handle, complete	1	
25	3382100145	Sleeve	1	
26	-	Handle	1	
27	3382100146	Washer, 5.3 mm, 0.21 in.	1	
28	4700936985	Spiral spring	1	
29	4700936986	Housing	1	
30	-	Washer, M6	4	
31	-	Screw, M6	4	
32	4700936989	Rope	1	
33	3382100150	Air filter housing, complete	1	
34	4700937024	Vent nipple	1	
35	-	Housing	1	
36	3382100147	Sealing strip	1	
37	4700940829	Sealing strip	1	

Refer to Parts Online for the most up to date information. The printed information might be outdated.

Thu Jun 18 01:33:44 MDT 2015

This page intentionally left blank

Item	Part No.	Name	Qty	L
38	4700937013	Filter element	1	
39	-	Valve plate, red	1	
40	-	Valve plate, black		
41	3382100148	Rubber sleeve	1	
42	4700937022	Gasket	2	
43	4700937023	Gasket	1	
44	-	Tube	3	
45	-	Washer, M8	2	
46	4700937011	Washer	1	
47	4700937014	Nut	1	
48	4700937015	Protecting cover	1	
49	4700937016	Rubber sleeve	1	
50	3382100149	Shim	1	
51	-	Rivet	1	
52	4700937017	Nut	1	
53	4700937019	Rubber hose	1	
54	4700937018	Plate	1	
55	4700937608	Oil dipstick	1	
56	-	Dipstick	1	
57	4700945425	O-ring	1	
58	3382100153	Injection pump, complete	1	E
59	4700950607	Injection pump, complete	1	F
60	3382100154	Injection pump, complete	1	G
61	4700938753	Injection pump cpl	1	H
62	-	Pump part	1	
63	-	Pump part	1	
64	-	Pump part	1	
65	-	Pump part	1	
66	-	Pump part	1	
67	-	Pump part	1	
68	-	Pump part	1	
69	-	Pump part	1	
70	-	Pump part	1	
71	-	Pump part	1	
72	4700936977	O-ring 0,2 mm	1	
73	4700936978	O-ring 0,3 mm	1	
74	4700936979	O-ring 0,4 mm	1	

Refer to Parts Online for the most up to date information. The printed information might be outdated.

Thu Jun 18 01:33:44 MDT 2015

This page intentionally left blank

Item	Part No.	Name	Qty	L
75	4700936980	O-ring 0,5 mm	1	
76	4700936981	O-ring 0,6 mm	1	
77	3382100155	Injector, complete	1	I
78	4700950575	Injector, complete	1	J
79	4700939762	Injector, complete	1	K
80	-	Injector part	1	
81	-	Injector part	1	
82	-	Injector part	1	
83	-	Injector part	1	
84	-	Injector part	1	
85	-	Injector part	1	
86	-	Injector part	1	
87	-	Injector part	1	
88	-	Injector part	1	
89	-	Injector part	1	
90	-	Injector part	1	
91	-	Injector part	1	
92	-	Injector part	1	
93	-	Injector part	1	
94	4700950423	Silencer, complete	1	
95	-	Silencer	1	
96	4700945438	Gasket	1	
97	-	Screw, M8 x 25 mm	1	
98	-	Washer, M8	1	
99	3382100151	Hook	1	
100	3382100152	Cover	1	

Comments for Page: Engine, Hatz 1B20 manual start

(L)OCAL REMARKS

A | Hatz 1B20

B | See section "Fuel tank"

C | Black

D | Red

E | Valid from engine serial number 10032xxxxxxx

Consist of item 62 to 71.

F | Valid from engine serial number 10031xxxxxxx

Consist of item 62 to 71.

G | Valid from engine serial number 10030xxxxxxx

Consist of item 62 to 71.

H | Valid from engine serial number 10029xxxxxxx

Consist of item 62 to 71.

I | Valid from engine serial number 10032xxxxxxx

Consist of item 80 to 93.

J | Valid from engine serial number 10031xxxxxxx

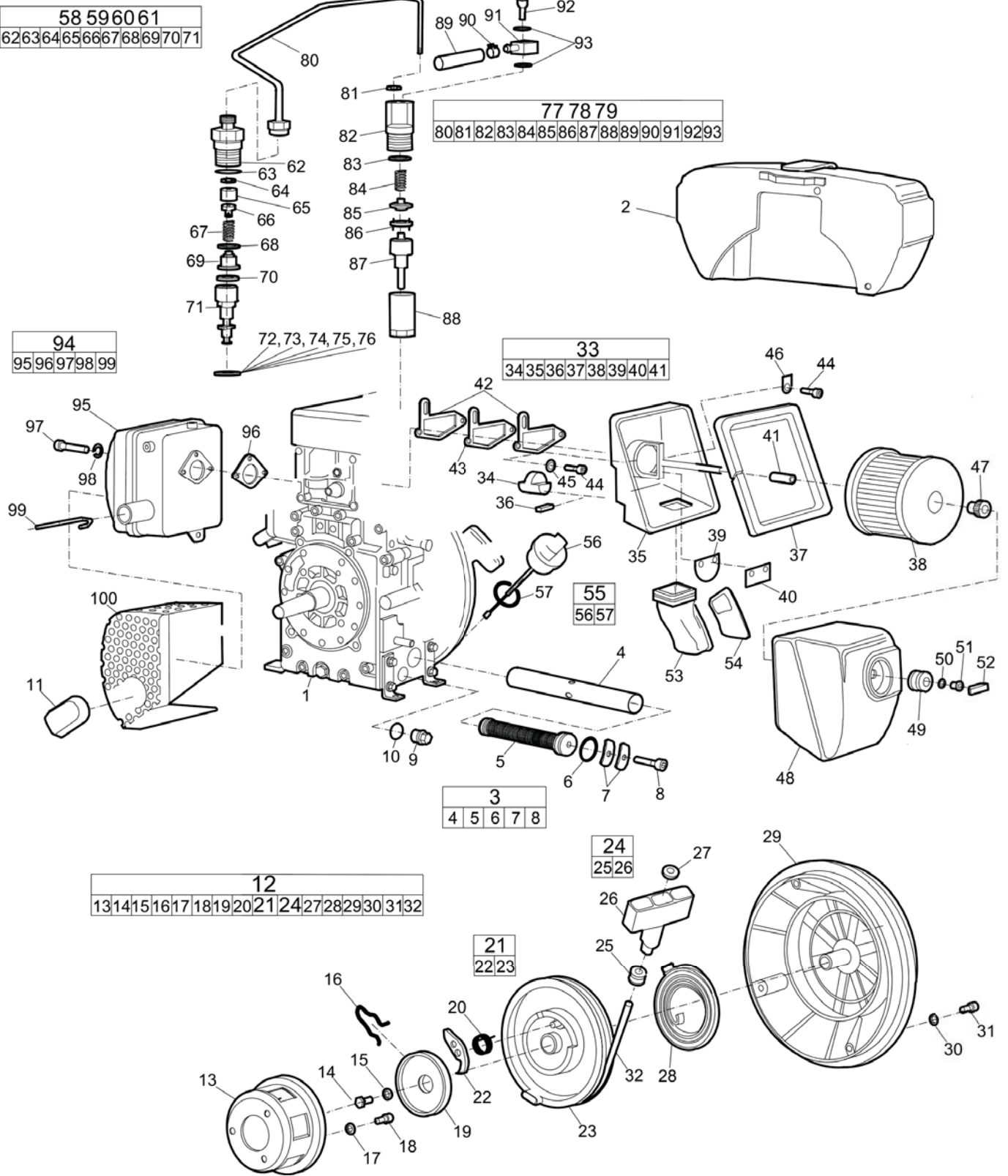
Valid from engine serial number 10030xxxxxxx

Consist of item 80 to 93.

K | Valid from engine serial number 10029xxxxxxx

Spare parts list Engine, Hatz 1B20 manual start, EPA version

This page intentionally left blank



Refer to Parts Online for the most up to date information. The printed information might be outdated.

Thu Jun 18 01:33:46 MDT 2015

Item	Part No.	Name	Qty	L
1	3382012242	Engine, Hatz 1B20 manual start	1	A
2	-	Fuel tank	1	B
3	4700937001	Oil strainer, cpl	1	
4	-	Tube	1	
5	-	Oil strainer	1	
6	3382100143	O-ring	1	
7	3382100144	Washer	2	
8	-	Screw	1	
9	4700937002	Plug	1	
10	4700748479	Washer	1	
11	4700937004	Exhaust pipe	1	
12	4700936982	Recoil starter, cpl	1	
13	4700936999	Starter pulley	1	
14	-	Screw	1	
15	-	Washer	1	
16	4700936991	Spring	1	
17	-	Spring washer	1	
18	-	Screw	1	
19	4700936992	Friction plate	1	
20	4700936996	O-ring	1	
21	4700936990	Reel	1	
22	4700936995	Ratchet	1	
23	-	Start pulley	1	
24	4700936983	Handle, complete	1	
25	3382100145	Sleeve	1	
26	-	Handle	1	
27	3382100146	Washer, 5.3 mm, 0.21 in.	1	
28	4700936985	Spiral spring	1	
29	4700936986	Housing	1	
30	-	Washer	4	
31	-	Screw	4	
32	4700936989	Rope	1	
33	3382100150	Air filter housing, complete	1	
34	4700937024	Vent nipple	1	
35	-	Housing	1	
36	3382100147	Sealing strip	1	
37	4700940829	Sealing strip	1	

Refer to Parts Online for the most up to date information. The printed information might be outdated.

Thu Jun 18 01:33:46 MDT 2015

This page intentionally left blank

Item	Part No.	Name	Qty	L
38	4700937013	Filter element	1	
39	-	Valve plate	1	C
40	-	Valve plate	1	D
41	3382100148	Rubber sleeve	1	
42	4700937022	Gasket	2	
43	4700937023	Gasket	1	
44	-	Tube	3	
45	-	Washer	2	
46	4700937011	Washer	1	
47	4700937014	Nut	1	
48	4700937015	Protecting cover	1	
49	4700937016	Rubber sleeve	1	
50	3382100149	Shim	1	
51	-	Rivet	1	
52	4700937017	Nut	1	
53	4700937019	Rubber hose	1	
54	4700937018	Plate	1	
55	4700937608	Oil dipstick	1	
56	-	Dipstick	1	
57	4700945425	O-ring	1	
58	3382100153	Injection pump, complete	1	E
59	4700950607	Injection pump, complete	1	F
60	3382100154	Injection pump, complete	1	G
61	4700938753	Injection pump cpl	1	H
62	-	Pump part	1	
63	-	Pump part	1	
64	-	Pump part	1	
65	-	Pump part	1	
66	-	Pump part	1	
67	-	Pump part	1	
68	-	Pump part	1	
69	-	Pump part	1	
70	-	Pump part	1	
71	-	Pump part	1	
72	4700936977	O-ring 0,2 mm	1	
73	4700936978	O-ring 0,3 mm	1	
74	4700936979	O-ring 0,4 mm	1	

Refer to Parts Online for the most up to date information. The printed information might be outdated.

Thu Jun 18 01:33:46 MDT 2015

This page intentionally left blank

Item	Part No.	Name	Qty	L
75	4700936980	O-ring 0,5 mm	1	
76	4700936981	O-ring 0,6 mm	1	
77	3382100155	Injector, complete	1	I
78	4700950575	Injector, complete	1	J
79	4700939762	Injector, complete	1	K
80	-	Injector part	1	
81	-	Injector part	1	
82	-	Injector part	1	
83	-	Injector part	1	
84	-	Injector part	1	
85	-	Injector part	1	
86	-	Injector part	1	
87	-	Injector part	1	
88	-	Injector part	1	
89	-	Injector part	1	
90	-	Injector part	1	
91	-	Injector part	1	
92	-	Injector part	1	
93	-	Injector part	1	
94	4700950423	Silencer, complete	1	
95	-	Silencer	1	
96	4700945438	Gasket	1	
97	-	Screw	1	
98	-	Washer	1	
99	3382100151	Hook	1	
100	3382100152	Cover	1	

Comments for Page: Engine, Hatz 1B20 manual start, EPA version

A | Hatz 1B20

B | See section "Fuel tank"

C | Black

D | Red

E | Valid from Engine serial number 10032xxxxxxx, Consist of item 62 to 71

F | Valid from Engine serial number 10031xxxxxxx, Consist of item 62 to 71

G | Valid from Engine serial number 10030xxxxxxx, Consist of item 62 to 71

H | Valid from Engine serial number 10029xxxxxxx, Consist of item 62 to 71

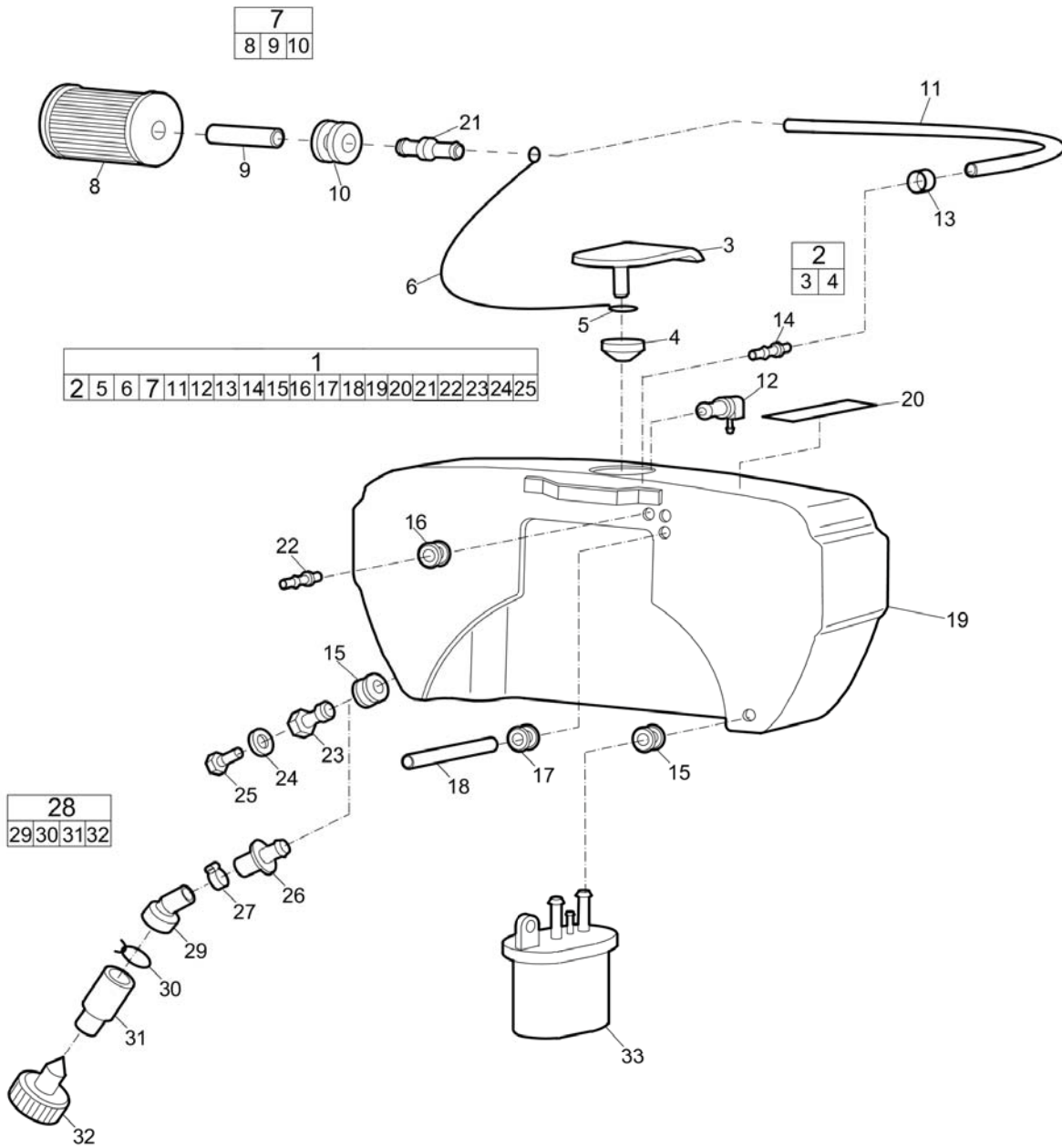
I | Valid from Engine serial number 10032xxxxxxx, Consist of item 80 to 93

J | Valid from Engine serial number 10030xxxxxxx, Consist of item 80 to 93

K I Valid from Engine serial number 10029xxxxxxx, Consist of item 80 to 93

Spare parts list Fuel tank, Hatz 1B20

This page intentionally left blank



Refer to Parts Online for the most up to date information. The printed information might be outdated.

Thu Jun 18 01:33:47 MDT 2015

Item	Part No.	Name	Qty	L
1	3382100156	Fuel tank, complete	1	
2	4700936947	Fuel cap	1	
3	---	Cap	1	
4	---	Gasket	1	
5	3382100162	Circlip	1	
6	3382100161	Rope	1	
7	4700939618	Fuel filter	1	
8	---	Filter element	1	
9	---	Pipe	1	
10	4700936962	Gasket	1	
11	3382100160	Fuel hose	1	
12	4700936952	Ventilation valve	1	
13	4700936972	Hose clamp	1	
14	4700936954	Adapter	1	
15	4700936955	Gasket	2	
16	4700938119	Rubber sleeve	1	
17	4700936962	Gasket	1	
18	4700936963	Pipe	1	
19	--	Fuel tank	1	
20	--	Label	1	
21	4700945226	Nipple	1	
22	4700945441	Nipple	1	
23	--	Nipple	1	
24	4700238387	Joint	1	
25	3382100159	Ventilating screw	1	
26	3382100158	Nipple	1	
27	3382100157	Clamp	1	
28	4700938339	Water separator, cpl	1	
29	--	Hose	1	
30	--	Hose clip	1	
31	--	Water separator	1	
32	--	Drain screw	1	
33	4700940494	Fuel filter	1	A

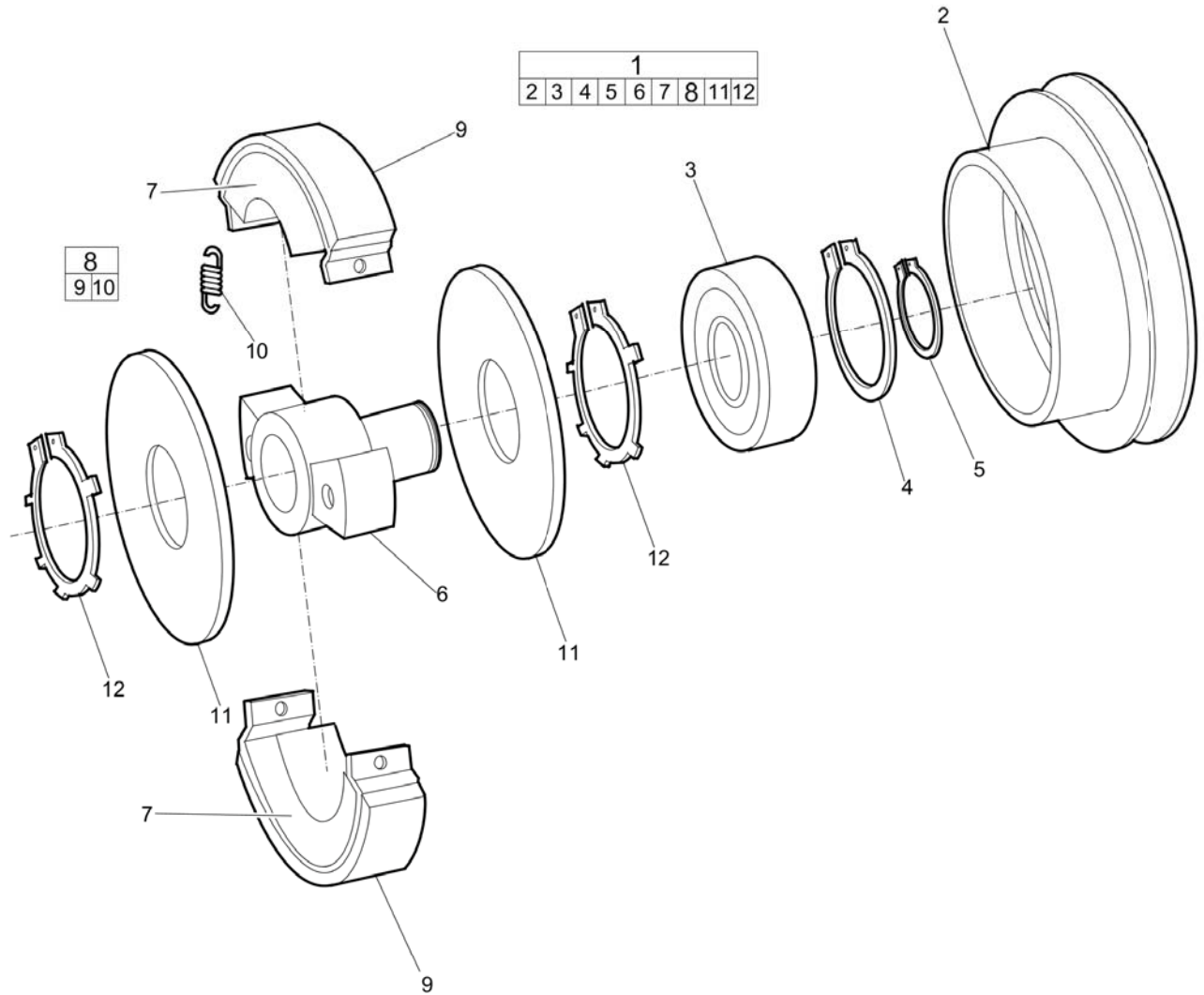
Comments for Page: Fuel tank, Hatz 1B20

(L)OCAL REMARKS

A | Not for ordinary maintenance.

Spare parts list Centrifugal clutch, Honda

This page intentionally left blank

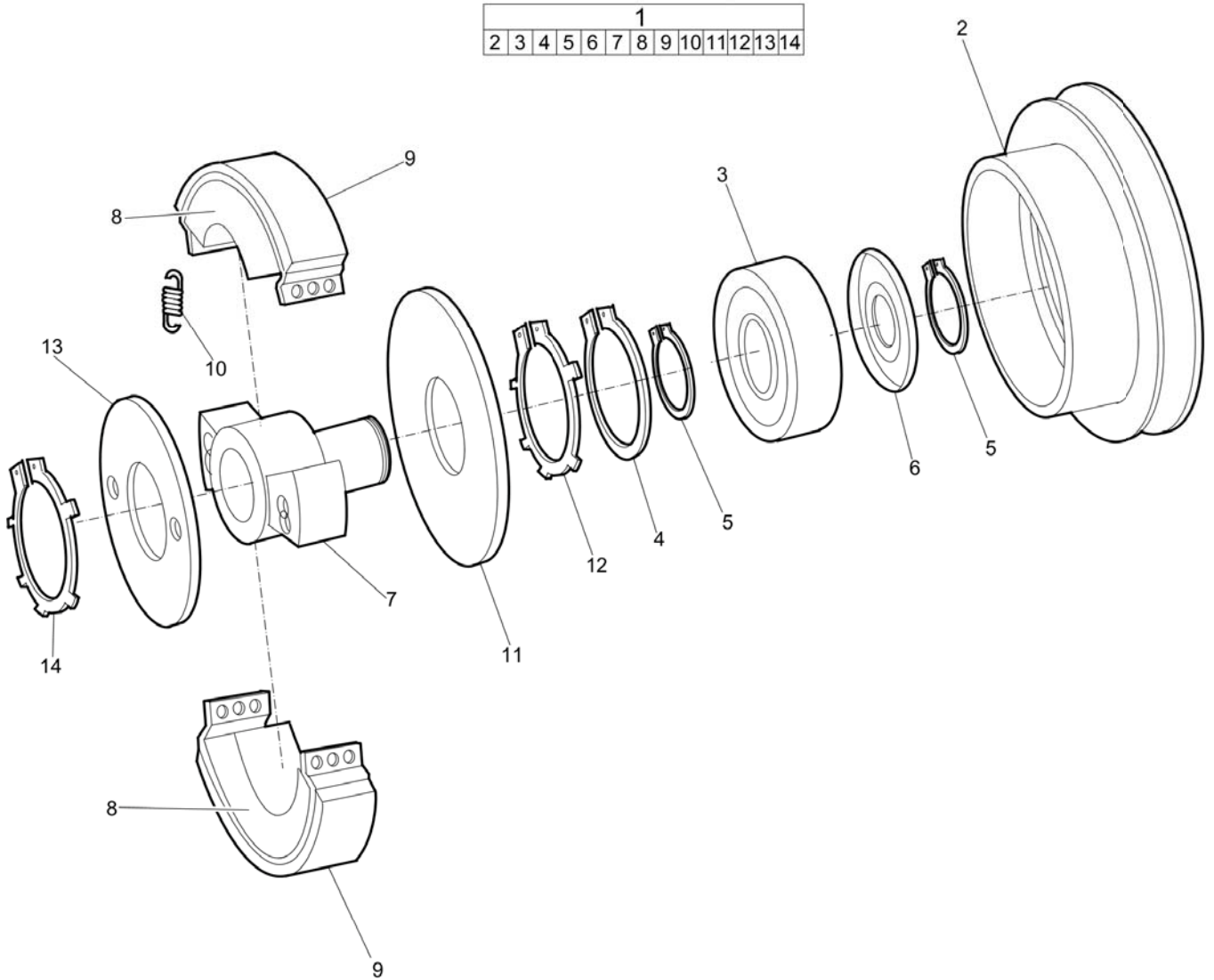


Refer to Parts Online for the most up to date information. The printed information might be outdated.

Thu Jun 18 01:33:48 MDT 2015

Item	Part No.	Name	Qty	L
1	4700394422	Clutch, cpl	1	
2	4700950351	V-belt pulley	1	
3	4700937034	Bearing	1	
4	4700937035	Retaining ring	1	
5	4700937036	Retaining ring	1	
6	4700938701	Hub	1	
7	4700239290	Weight	2	
8	4700945616	Clutch lining kit	1	
9	---	Clutch lining	2	
10	---	Spring	2	
11	4700239768	Cover	2	
12	4700239734	Retaining ring	2	

Spare parts list Centrifugal clutch, Hatz

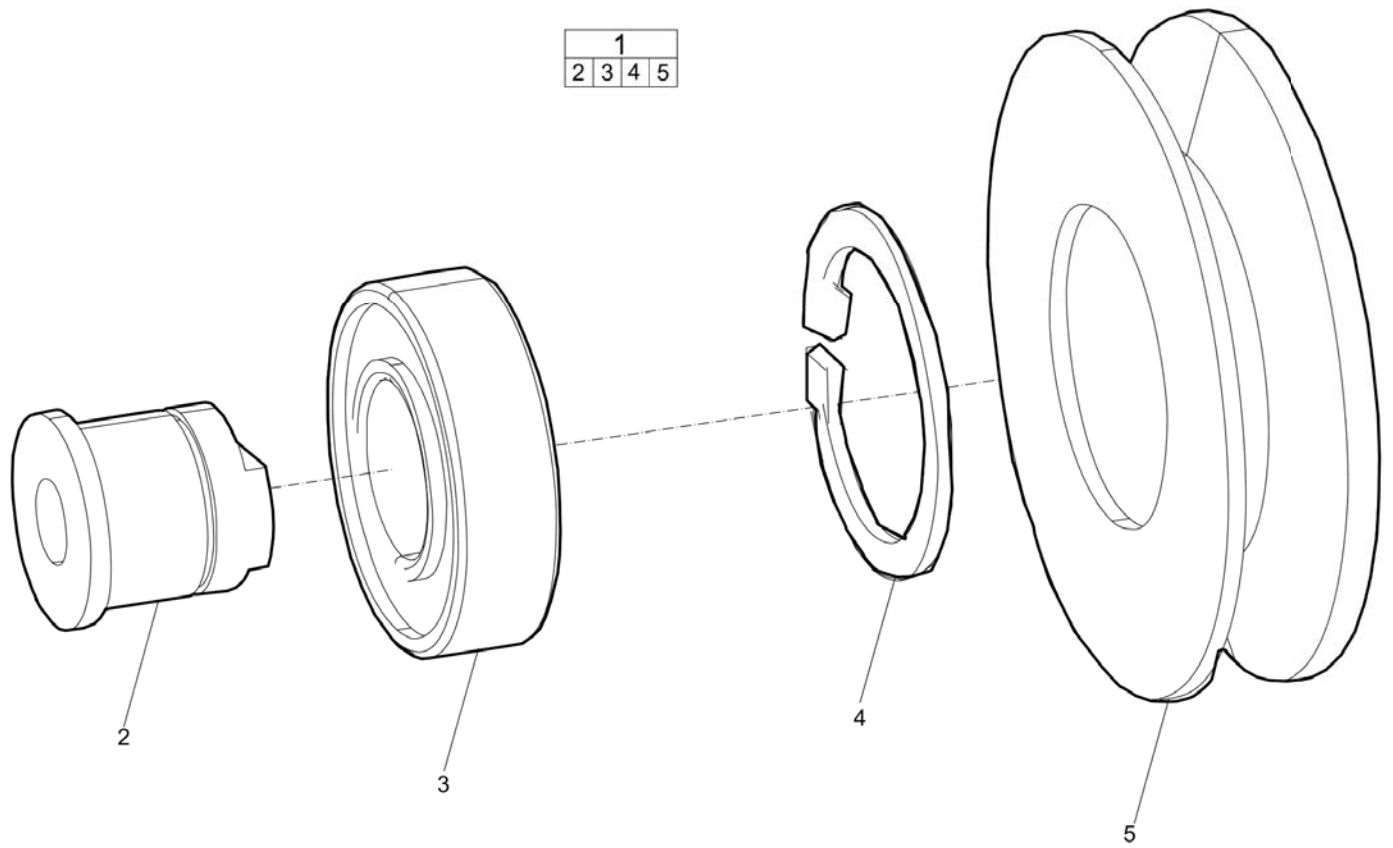


Refer to Parts Online for the most up to date information. The printed information might be outdated.

Thu Jun 18 01:33:49 MDT 2015

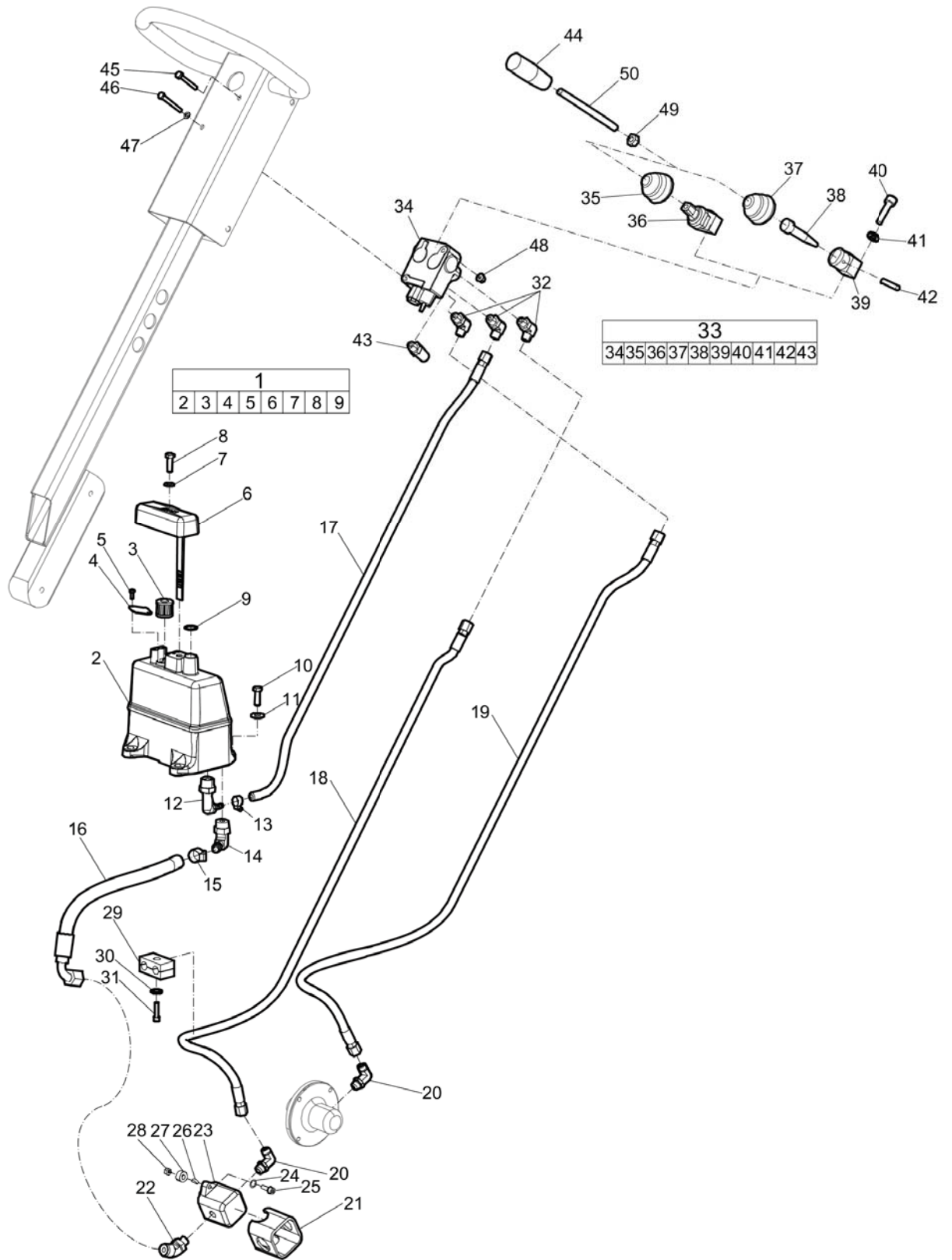
Item	Part No.	Name	Qty	L
1	4700378033	Clutch, cpl	1	
2	4700937029	V-belt pulley	1	
3	4700938724	Ball bearing	1	
4	4700938725	Retaining ring	1	
5	4700938726	Snap ring	2	
6	4700134036	Nilos ring	1	
7	4700937031	Hub	1	
8	3382010185	Clutch weight	2	
9	4700945612	Clutch lining	2	
10	4700937527	Spring	4	
11	4700239857	Cover	1	
12	4700938532	Retaining ring	1	
13	4700239768	Cover	1	
14	4700239734	Retaining ring	1	

Spare parts list Belt tightener



Item	Part No.	Name	Qty	L
1	4700390429	Belt tightener	1	
2	4700390415	Shaft	1	
3	4700111114	Ball bearing	1	
4	4700151017	Snap ring	1	
5	4700280836	V-belt pulley	1	

Spare parts list Hydraulic system



Refer to Parts Online for the most up to date information. The printed information might be outdated.

Thu Jun 18 01:33:50 MDT 2015

Item	Part No.	Name	Qty	L
1	4700376677	Hydraulic oil tank, complete	1	
2	--	Hydraulic oil tank	1	
3	4700381566	Air filter	1	
4	4700381563	Holder	1	
5	--	Screw, K50 x 12 mm Type KX-PT	2	
6	4700381385	Cover with oil dipstick	1	
7	--	Washer, 8.4 x 16 x 1.5 mm, 0.33 x 0.63 x 0.06 in. 300 HV	1	
8	--	Screw, M8 x 25 mm 8.8 A2K	1	
9	4700160110	O-ring	1	
10	-	Screw, M10 x 25 mm 8.8 A3K	4	
11	-	Washer, 10.5 x 22 x 2 mm, 0.41 x 0.87 x 0.08 in. 300 HV	4	
12	4700924996	Hose connection	1	
13	4700313003	Hose clamp	1	
14	4700376674	Adapter	1	
15	4700313108	Hose clamp	1	
16	4700391801	Hydraulic hose	1	
17	4700390431	Hydraulic hose	1	A
18	4700483900	Hydraulic hose	1	B
19	4700483906	Hydraulic hose	1	C
20	4700792272	Elbow 90 orfs	2	
21	4700280540	Cover	1	
22	4700792253	Elbow	1	
23	4700383562	Hydraulic pump	1	
24	-	Washer, 6.4 x 12 x 1.5 mm, 0.25 x 0.47 x 0.06 in. 300 HV	2	
25	-	Screw, M6 x 20 mm 8.8 A2K	2	
26	-	Key	1	D
27	4700928894	Sleeve	1	
28	-	Nut	1	D
29	4700792273	Pipe clamp block	1	
30	-	Washer, 6.4 x 12 x 1.5 mm, 0.25 x 0.47 x 0.06 in. 300 HV	1	
31	-	Screw, M6 x 25 mm 8.8 A2K	1	
32	4700791397	Elbow 90, O-ring	3	
33	4700282993	Valve	1	
34	-	Valve body	1	
35	4700936595	Rubber cover	1	E
36	4700937924	Lever housing	1	E
37	3382100271	Rubber cover	1	F

Refer to Parts Online for the most up to date information. The printed information might be outdated.

Thu Jun 18 01:33:50 MDT 2015

This page intentionally left blank

Item	Part No.	Name	Qty	L
38	3382100270	Lever	1	F
39	3382100268	Housing	1	F
40	3382100272	Screw	2	F
41	3382100273	Washer	4	F
42	3382100269	Pin	1	F
43	3382100288	Measuring nipple	1	F
44	4700903821	Grab handle	1	
45	-	Screw, M6 x 50 mm 8.8 A2K	1	
46	-	Screw, M6 x 55 mm 8.8 A2K	1	
47	-	Washer, 6.4 x 12 x 1.5 mm, 0.25 x 0.47 x 0.06 in. 300 HV	2	
48	-	Lock nut, M6 x 1 mm A2K	2	
49	4700570005	Hex. nut	1	
50	4700390450	Rod	1	

Comments for Page: Hydraulic system

(L)OCAL REMARKS

A | Connected to port "T"

B | Connected to port "P"

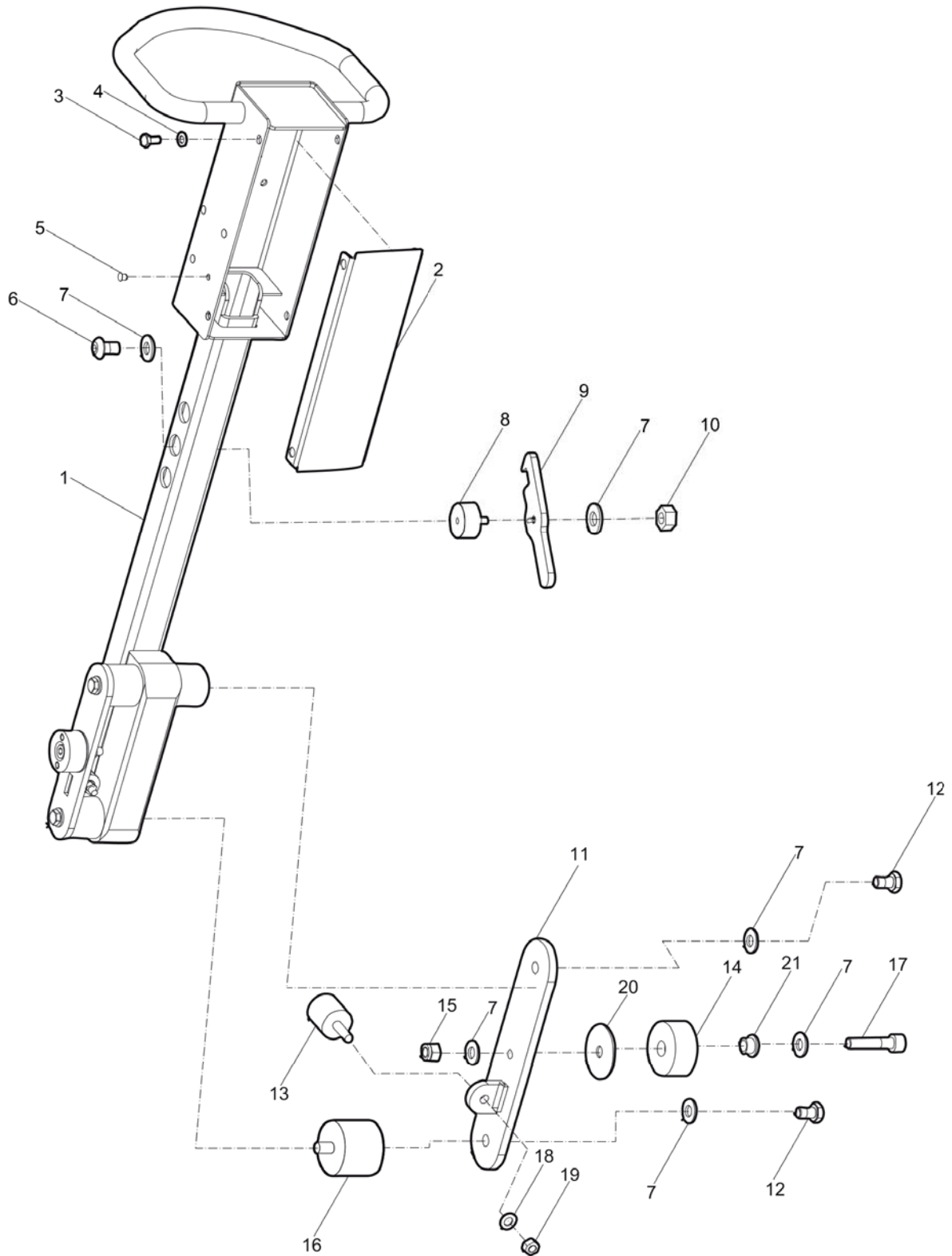
C | Connected to port "A"

D | Supplied with hydraulic pump

E | Old version

F | New version: For valve complete marked with "Caproni".

Spare parts list Handle



Refer to Parts Online for the most up to date information. The printed information might be outdated.

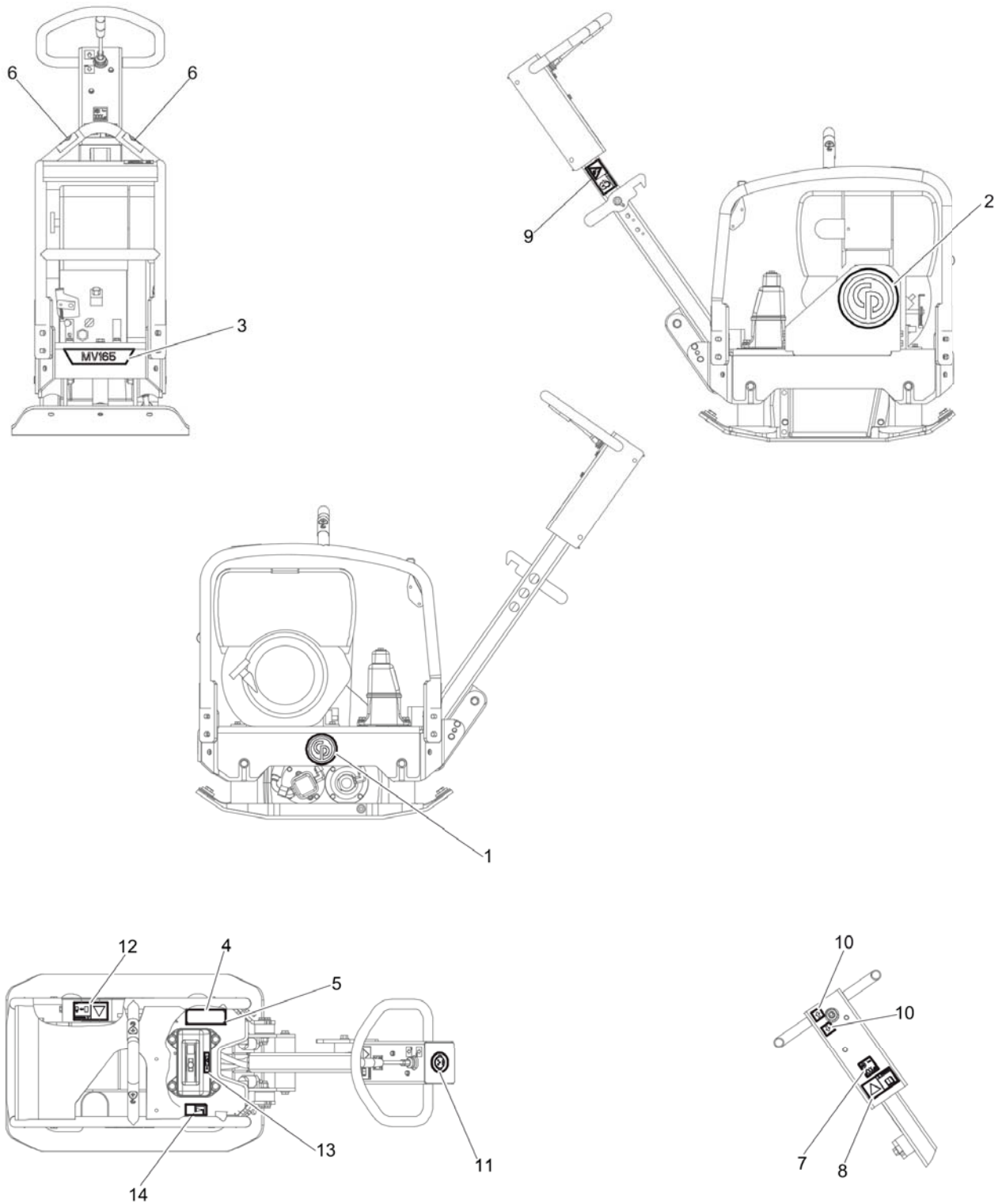
Thu Jun 18 01:33:51 MDT 2015

Item	Part No.	Name	Qty	L
1	4812070656	Handle	1	
2	4700390449	Cover	1	
3	-	Washer, 8.4 x 16 x 1.5 mm, 0.33 x 0.63 x 0.06 in. 300 HV	4	
4	-	Screw, M8 x 16 mm 8.8 A2K	4	
5	4700926215	Protective plug	2	
6	-	Screw, M10 x 16 mm A2-70	1	
7	-	Washer, 10.5 x 22 x 2 mm, 0.41 x 0.87 x 0.08 in. 300 HV	10	
8	4700385387	Shock absorber	1	
9	4700382496	Hook	1	
10	-	Nut, M10 A3K	1	
11	4700390448	Bracket	2	
12	-	Screw, M10 x 20 mm 8.8 A3K	4	
13	4700792378	Shock absorber	2	
14	4700391558	Spacer	2	
15	-	Lock nut, M10	2	
16	4700792377	Shock absorber	4	
17	-	Screw, M10 x 40 mm 12.9 GEOMET®	2	
18	-	Washer, 8.4 x 16 x 1.5 mm, 0.33 x 0.63 x 0.06 in. 300 HV	2	
19	-	Nut, M8 A2K	2	
20	4700792379	Plastic washer	2	
21	4700792380	Plastic bushing	2	

Comments for Page: Handle

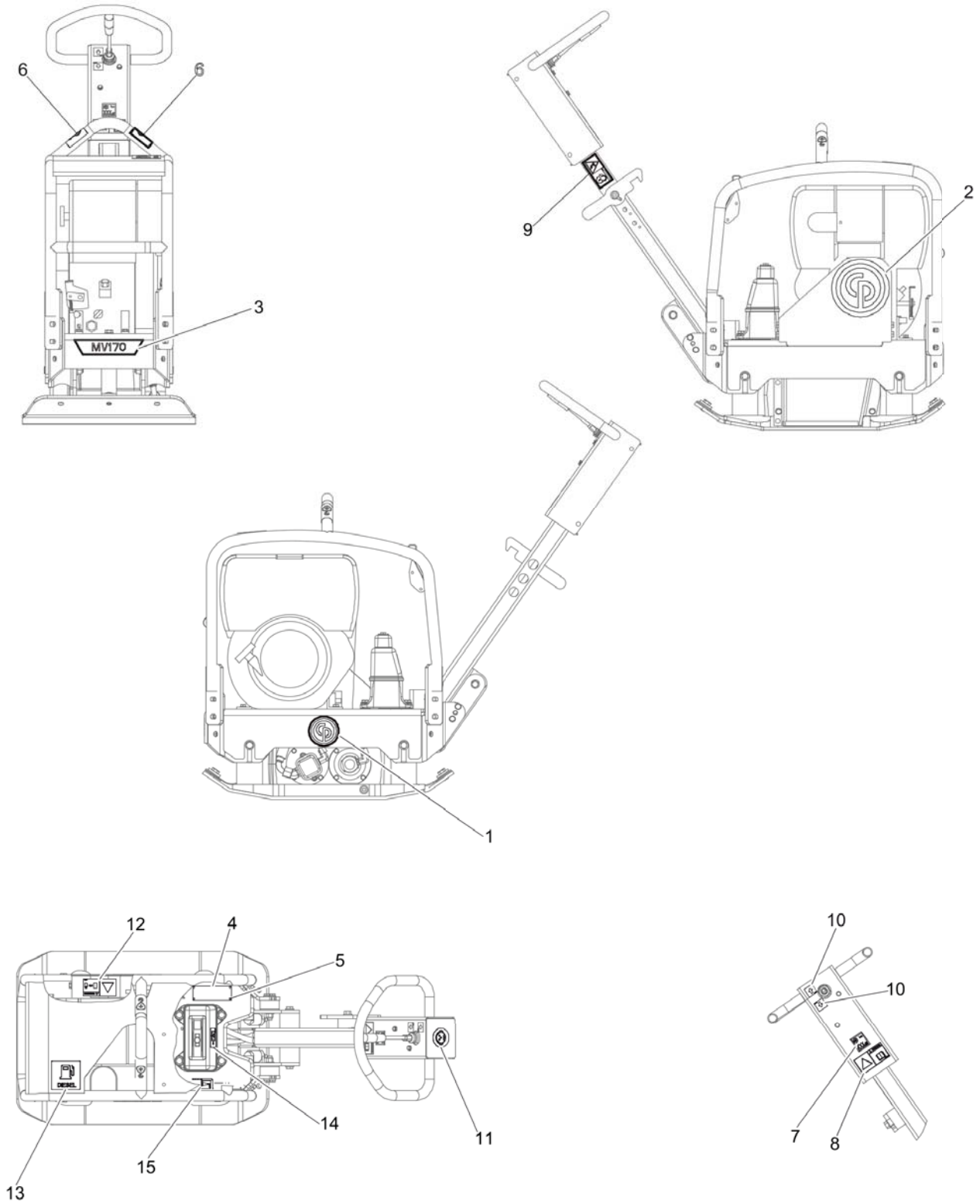
GEOMET is a registered trademark of Nof MetalCoatings North America Inc.

Spare parts list Labels, Honda



Item	Part No.	Name	Qty	L
1	3315385605	Product label, "Chicago Pneumatic"	1	
2	3315385705	Product label, "Chicago Pneumatic"	1	
3	4812070665	Product label, "MV 165"	1	
4	-	Data plate	1	
5	-	Drive screw, 2 x 5 mm KDS	4	
6	4700357587	Label lifting point	2	
7	4700791296	Sound power label	1	
8	4700904680	Safety label, read instruction manual	1	
9	4700791366	Safety label, lock handle	1	
10	4700284278	Label, direction	2	
11	4700281898	Label, use ear protectors	1	
12	4700903832	Safety decal	1	
13	4700272373	Label, hydraulic oil level	1	
14	4700385878	Decal	1	

Spare parts list Labels, Hatz



Refer to Parts Online for the most up to date information. The printed information might be outdated.

Thu Jun 18 01:33:53 MDT 2015

Item	Part No.	Name	Qty	L
1	3315385605	Product label, "Chicago Pneumatic"	1	
2	3315385705	Product label, "Chicago Pneumatic"	1	
3	4812070666	Product label	1	
4	-	Data plate	1	
5	-	Drive screw, 2 x 5 mm KDS	4	
6	4700357587	Label lifting point	2	
7	4700791296	Sound power label	1	
8	4700904680	Safety label, read instruction manual	1	
9	4700791366	Safety label, lock handle	1	
10	4700284278	Label, direction	2	
11	4700281898	Label, use ear protectors	1	
12	4700903832	Safety decal	1	
13	4700991658	Decal "FUEL"	1	
14	4700272373	Label, hydraulic oil level	1	
15	4700385877	Decal "THROTTLE CONTROL"	1	

Kits Service kit, Honda

NO EXPLODED VIEW
AVAILABLE
FOR THIS BOM

Item	Part No.	Name	Qty	L
1	3382100024	One year service kit, Honda	1	
1	4700239323	Air filter, complete	5	
2	4700238303	Gasket	1	
3	4700239374	Starter rope	1	
4	4700924842	Spark plug	1	
5	4700281345	V-belt	1	
6	4700238301	Gasket	1	

Kits One year service kit, Hatz

NO EXPLODED VIEW
AVAILABLE
FOR THIS BOM

Item	Part No.	Name	Qty	L
1	3382100023	One year service kit, Hatz	1	
1	4700937013	Filter element	5	
2	4700939618	Fuel filter	5	
3	4700937003	O-ring	1	
4	4700936989	Rope	1	
5	4700281249	V-belt	1	
6	4700939768	Gasket	1	

Kits Shock absorber repair kit

NO EXPLODED VIEW
AVAILABLE
FOR THIS BOM

Item	Part No.	Name	Qty	L
1	3382100029	Shock absorber repair kit	1	
2	4700390236	Shock absorber	4	A
3	-	Screw, M10 x 20 mm 8.8 A3K	4	A
4	-	Washer, 10.5 x 22 x 4 mm, 0.41 x 0.87 x 0.16 in. 300 HV	4	A
5	-	Washer, 13 x 24 x 2 mm, 0.51 x 0.94 x 0.08 in. 300 HV	4	A
6	-	Nut, M12 A3K	4	A
7	4700792377	Shock absorber	4	B
8	-	Washer, 10.5 x 22 x 2 mm, 0.41 x 0.87 x 0.08 in. 300 HV	5	B
9	-	Screw, M10 x 20 mm 8.8 A3K	4	B
10	4700792378	Shock absorber	2	B
11	-	Washer, 8.4 x 16 x 1.5 mm, 0.33 x 0.63 x 0.06 in. 300 HV	2	B
12	-	Nut, M8 A2K	2	B
13	4700385387	Shock absorber	1	B
14	-	Nut, M10 A3K	1	B

Comments for Page: Shock absorber repair kit

(L)OCAL REMARKS

A | See section "Ground plate and eccentric element installation".

B | See section "Handle".

Kits Eccentric element repair kit

NO EXPLODED VIEW
AVAILABLE
FOR THIS BOM

Item	Part No.	Name	Qty	L
1	3382100036	Eccentric element repair kit	1	
2	4700903363	Ball bearing	4	A
3	4700928794	Sealing ring	1	A
4	4700929287	Ball bearing	2	A
5	4700151007	Retaining ring	1	A
6	-	Washer, 6.4 x 12 x 1.5 mm, 0.25 x 0.47 x 0.06 in. 300 HV	16	A
7	-	Screw, M6 x 20 mm 8.8 A2K	16	A
8	4700929906	Packing	1	A
9	-	Copper washer, 16.7 x 24 x 1.5 mm, 0.66 x 0.94 x 0.06 in. TYPE A, M16	1	A

Comments for Page: Eccentric element repair kit

(L)OCAL REMARKS

A | See section "Eccentric element".

Kits Forward and reverse piston repair kit

NO EXPLODED VIEW
AVAILABLE
FOR THIS BOM

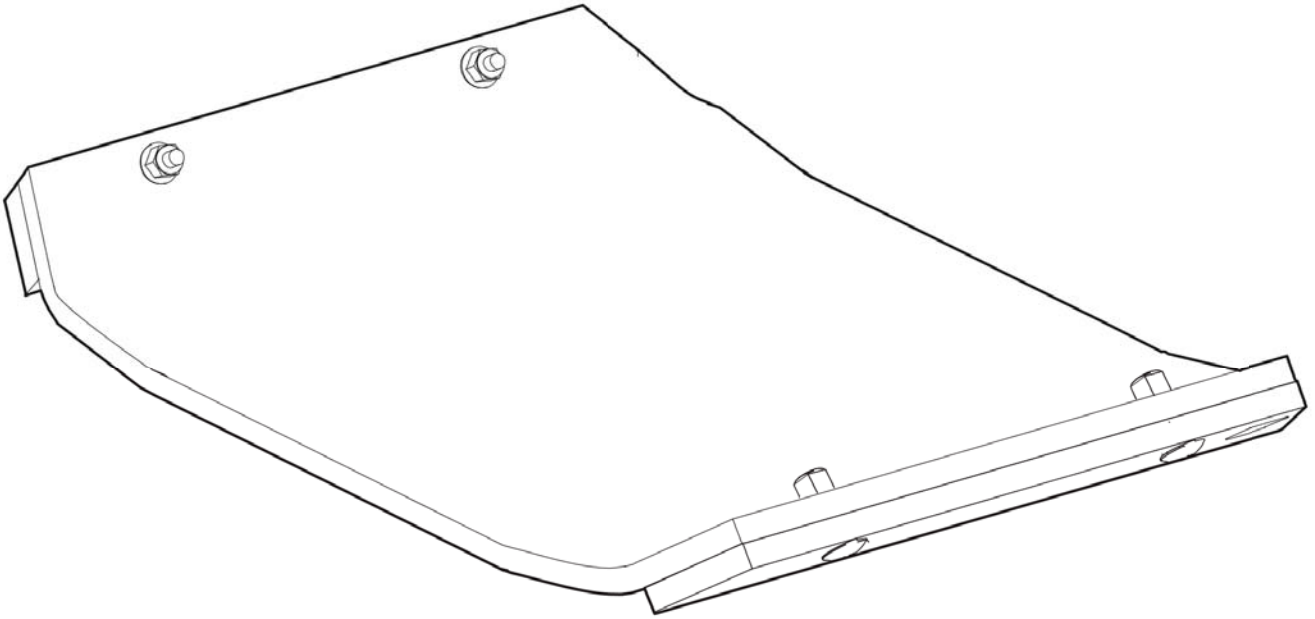
Item	Part No.	Name	Qty	L
1	3382100034	Forward and reverse piston repair kit	1	
2	4700281276	Sealing ring	1	A
3	4812070051	Piston rod	1	A
4	4700151039	Retaining ring	1	A
5	4812070359	Ball bearing	1	A
6	4700150002	Retaining ring	1	A
7	4812070362	Thrust ball bearing	1	A
8	4812070363	Spring washer	1	A
8	4812070050	Hydraulic cylinder	1	A
9	4700629062	Spring pin	1	A
10	-	Washer, 6.4 x 12 x 1.5 mm, 0.25 x 0.47 x 0.06 in. 300 HV	4	A
11	-	Screw, M6 x 20 mm 8.8 A2K	4	A

Comments for Page: Forward and reverse piston repair kit

(L)OCAL REMARKS

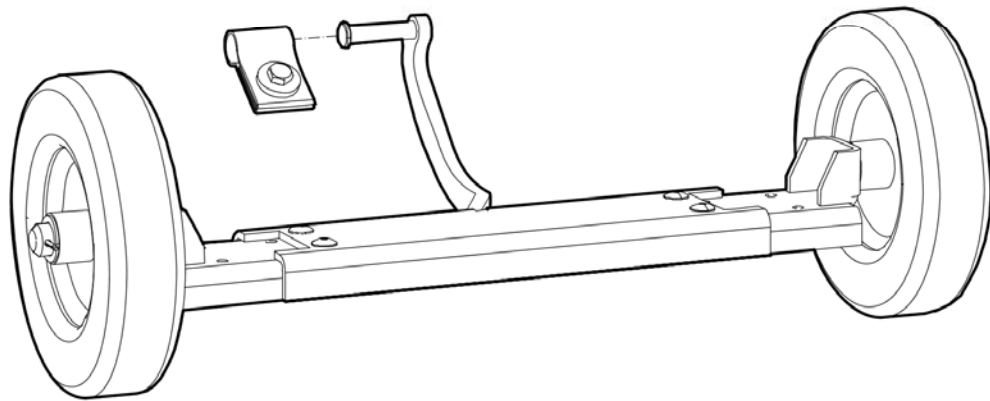
A | See section "Eccentric element".

Kits Block paving plate kit 450 mm (17.7 in.)



Item	Part No.	Name	Qty	L
1	4700394463	Block paving plate kit	1	
Not Shown	-	Polyurethane plate, 450 mm, 17.7 in.	1	
Not Shown	-	Bracket	2	
Not Shown	-	Nut, M10 x 1.5 mm A3K	4	
Not Shown	-	Screw, M10 x 45 mm 4.6 A3K	4	

Kits Transport device kit



Item	Part No.	Name	Qty	L
1	4700394969	Transport device kit	1	
Not Shown	-	Transport device	1	
Not Shown	-	Strap	1	
Not Shown	-	Washer, 13 x 36 x 6 mm, 0.51 x 1.42 x 0.24 in. 300 HV	1	
Not Shown	-	Screw, M12 x 25 mm 8.8 A3K	1	
Not Shown	-	Screw, M8 x 30 mm 8.8	4	
Not Shown	-	Wheel shaft	2	
Not Shown	-	Washer	4	
Not Shown	-	Wheel	2	
Not Shown	-	Split pin	2	
Not Shown	-	Washer, 8.4 x 22 x 3 mm, 0.33 x 0.87 x 0.12 in. 300 HV	4	
Not Shown	-	Nut, M8 A2K	4	



**Chicago
Pneumatic**